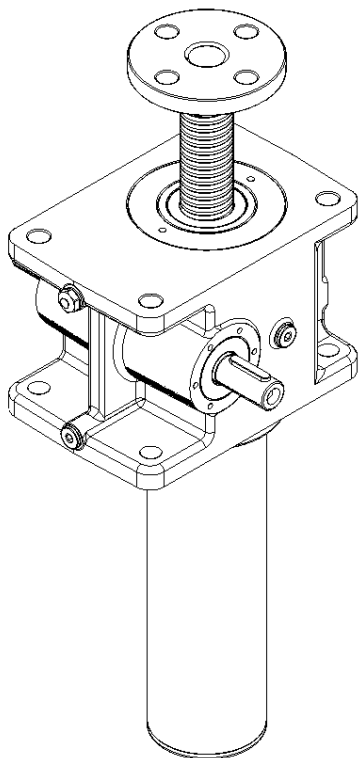
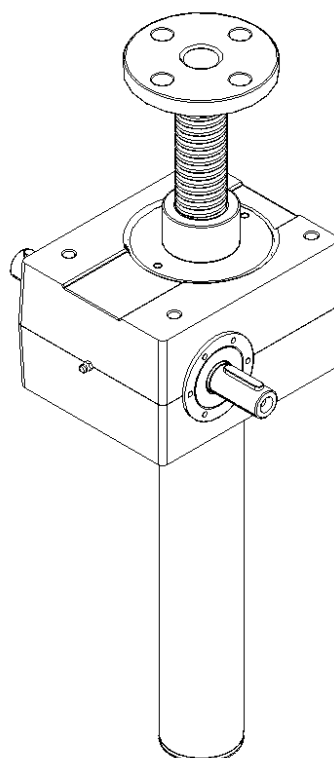


ACME SCREW JACKS

MA Series



SJ Series



Installation, operation and maintenance manual

Publication: 01.05.TR.E - Rev. 03 Date (M/Y) 09/22

Servomech S.p.A. Via M. Calari, 1 - 40011 Anzola dell'Emilia (BO) - ITALY

Ph: + 39 051 6501711 Fax: + 39 051 734574

www.servomech.com info@servomech.com



Read this manual before installing, operating or maintaining this screw jack. Failure to follow safety precautions and instructions could cause screw jack failure and result in serious injury, death or property damage.

This manual provides important information on how to work with the screw jack safely and efficiently. The manual is part of the device, must always be kept in the device's direct proximity and should be available for personnel to read at any time. Failure to comply with the installation, use and maintenance instructions indicated in this manual will result in immediate termination of the warranty conditions of the screw jack and completely relieve Servomech S.p.A. from any liability for damage caused to persons and / or property.

Servomech S.p.A. it does not assume direct or indirect responsibility for an improper use of the screw jack, not respecting the performances of the screw jack declared in the catalogs.

The manufacturer will not be liable for damage to the screw jack or the equipment into which the screw jack has been installed resulting from:

- disregarding this manual
- unintended use
- employment of untrained personnel
- unauthorized conversions
- technical modifications
- manipulation or removal of the screws on the device
- use of unapproved spare parts

The aforementioned conditions are therefore not contemplated and entail the immediate termination of the guarantee and the immediate decay of any responsibility on the part of Servomech S.p.A.

Servomech S.p.A. reserves the right to make changes to the screw jack and this manual without giving any notice.

ACME SCREW JACKS
MA Series – SJ Series
Installation, operation and maintenance manual

Contents

1	MODELS COVERED BY THIS DOCUMENT.....	5
2	IDENTIFICATION OF THE MANUFACTURER AND THE PRODUCT.....	5
2.1	Identification of the manufacturer.....	5
2.2	Description of the product.....	5
2.2.1	MA Series.....	5
2.2.2	SJ Series.....	6
2.3	Identification of the product.....	7
3	TRASPORT AND HANDLING.....	8
4	USE RESTRICTION.....	10
4.1	Intended use.....	10
4.1.1	Use restrictions.....	10
4.1.2	Standard operating conditions.....	11
4.1.3	Thermal limit.....	11
4.2	Personnel requirements / Qualifications.....	11
5	STORAGE.....	11
6	INSTALLATION.....	12
6.1	Safety warnings.....	12
6.2	FCP inductive proximity stroke limit switches.....	13
6.2.1	Adjustable FCP proximity stroke limit switches.....	14
6.3	FCM magnetic stroke limit switches.....	15
6.4	FC electric stroke limit switches.....	17
6.5	Rotary encoder ENC.4.....	18
6.6	Rotary encoder EH53.....	19
6.7	Safety nut MSA and MSB.....	20
6.8	Adjustable axial backlash device RMG.....	21
6.9	Electric motor wiring.....	22
6.9.1	AC 3-phase asynchronous motor.....	22
6.9.2	AC 1-phase asynchronous motor with balanced winding.....	24

6.9.3	DC motor	25
6.10	Travelling screw jack (Mod.A) installation	27
6.11	Travelling nut screw jack (Mod.B) installation	28
6.12	Installation of screw jack lifting system.....	30
6.13	Installation of fitting elements on threaded end (Mod.A)	30
7	COMMISSIONING AND USE	31
8	LUBRICATION.....	32
9	MAINTENANCE	33
9.1	Travelling screw lubrication (Mod.A)	35
9.2	Travelling nut lubrication (Mod.B)	35
9.3	Anti-rotation device lubrication (Mod.A)	35
9.4	MA series gearbox lubrication.....	36
9.4.1	Lubricant refill.....	36
9.4.2	Lubricant replacement	36
9.5	SJ series gearbox lubrication	36

1 MODELS COVERED BY THIS DOCUMENT

The present manual is referred to following products:

Acme screw jacks MA series: MA 5 – MA 10 – MA 25 – MA 50 – MA 80 – MA 100 – MA 200 – MA 350

Acme screw jacks SJ series: SJ 5 – SJ 10 – SJ 25 – SJ 50 – SJ 100 – SJ 150 – SJ 200 – SJ 250 – SJ 300 – SJ 350 – SJ 400 – SJ 600 – SJ 800 – SJ 1000

2 IDENTIFICATION OF THE MANUFACTURER AND THE PRODUCT

2.1 Identification of the manufacturer

SERVOMECH S.p.A. S.U.

Via Monaldo Calari, 1

40011 Anzola dell'Emilia (BO)

ITALY

Ph. +39 051 6501 711

Fax. +39 051 7345 74

Website: www.servomech.com

e-mail: info@servomech.com

2.2 Description of the product

For all the technical characteristics of the product (performance, features, dimensions) refer to the technical catalog.

2.2.1 MA Series

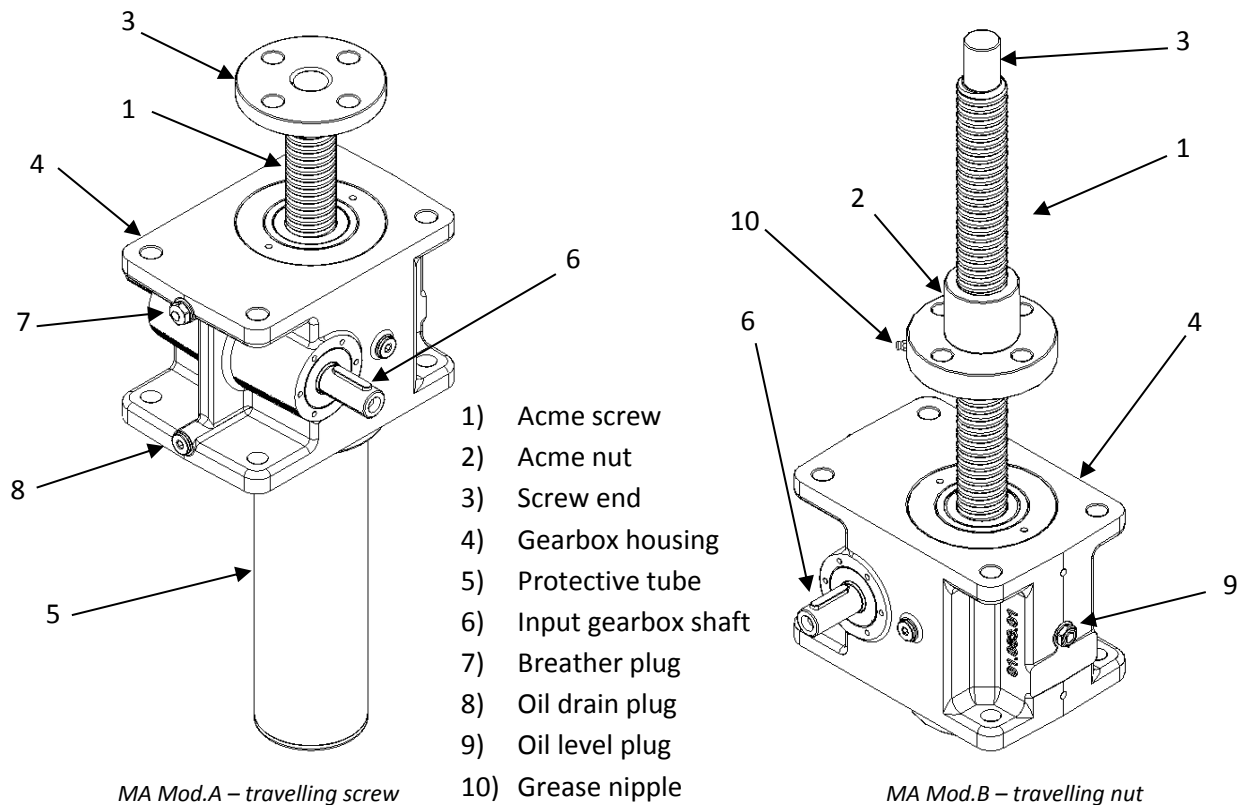


Figure 2.1 – Main components of MA screw jacks

2.2.2 SJ Series

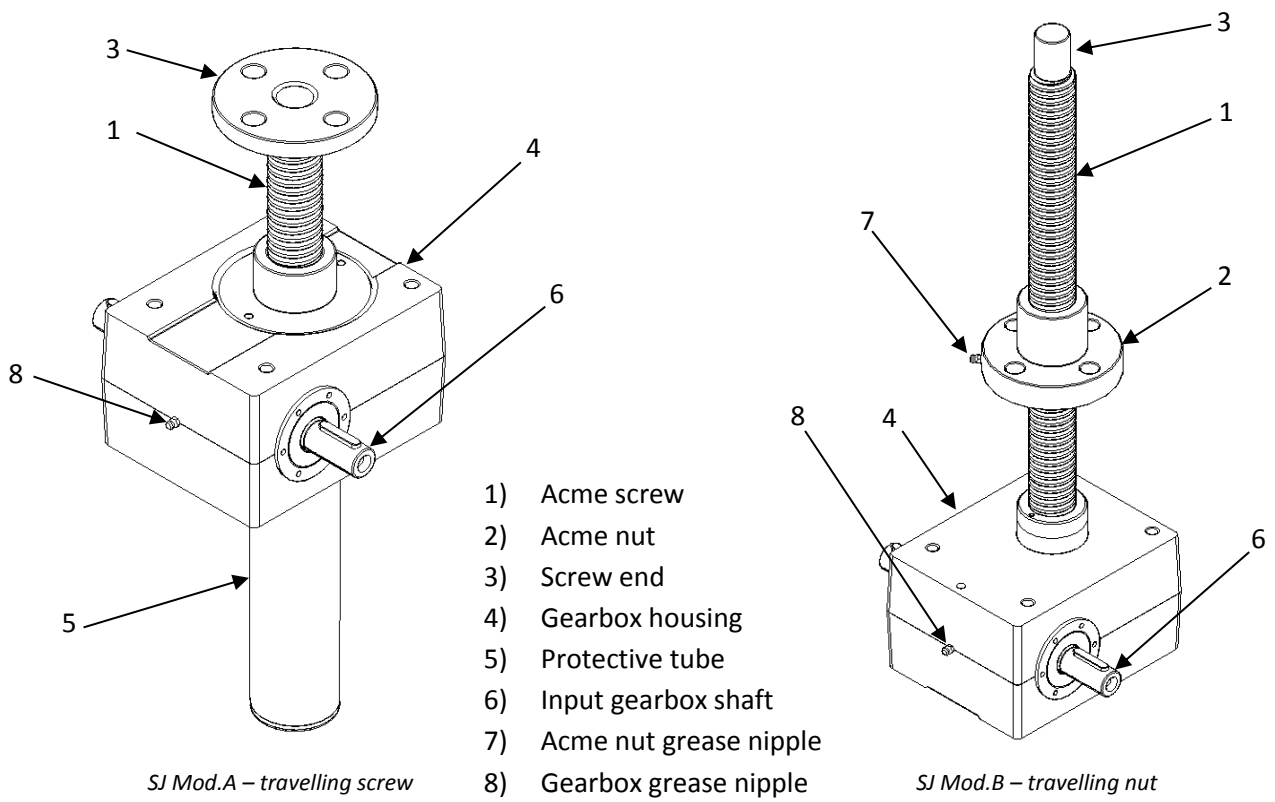


Figure 2.2 – Main components of SJ screw jacks

2.3 Identification of the product

Every SERVOMECH screw jack is provided with a nameplate, as shown below, which allows the product identification and gives technical information about the product.

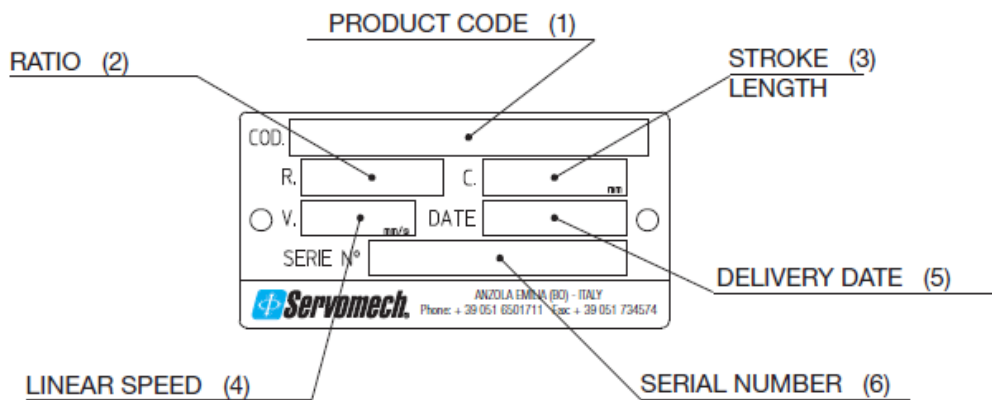


Figure 2.3 – Identification nameplate

- 1) **Product code**: is an alphanumeric code stating the type, size, ratio, version and stroke end switches of the screw jack;
- 2) **Ratio**: is the ratio of the input drive;
- 3) **Stroke length**: is the stroke length in millimetres achievable by the screw jack;
- 4) **Linear speed**: is the linear speed expressed in mm/s when the screw jack is provided with electric motor; for a screw jack without motor, this field is blank;
- 5) **Delivery date**: is the week/year of assembly (example: 30/13 = week 30 / year 2013) which usually coincides with the delivery date; this date is considered as reference for the warranty period;
- 6) **Serial number**: is the identification number of the screw jack which identifies the exact design of the product even after a long time; the serial number is the essential reference for spare part orders.

3 TRASPORT AND HANDLING

⚠ Screw jacks with mounted acme screw and all accessories can be often difficult to handle because of their overall dimensions. Therefore, it is recommended to pay attention and care during the handling and transport of screw jack not to damage mechanical parts and / or accessories and to prevent risks for the personnel in charge of this activity.

- The packaging must be lifted and moved with care and in a safe way.
- Use only safety-inspected and suitable load hoisting equipment.
- Lift the screw jack from the holes on the housing, using slings or eyebolts.
- When transporting the product with attached motor, always provide support for the motor, or remove the motor before transporting the product.
- For lifting and transporting travelling screw jack (Mod.A) with protective tube (T), the acme screw must be in retracted position.
- For lifting and transporting travelling screw jack (Mod.A) without protective tube (T), the acme screw must be in half stroke position.
- During lifting operation make sure that the weight of the screw jack is well balanced.
- If necessary, provide support for the screw jack from the tube and/or the acme screw.
- DO NOT lift the screw jack from the acme screw end or from the tube end.
- DO NOT lift the screw jack from the motor.
- Prevent the screw jack from swinging during lifting operations.

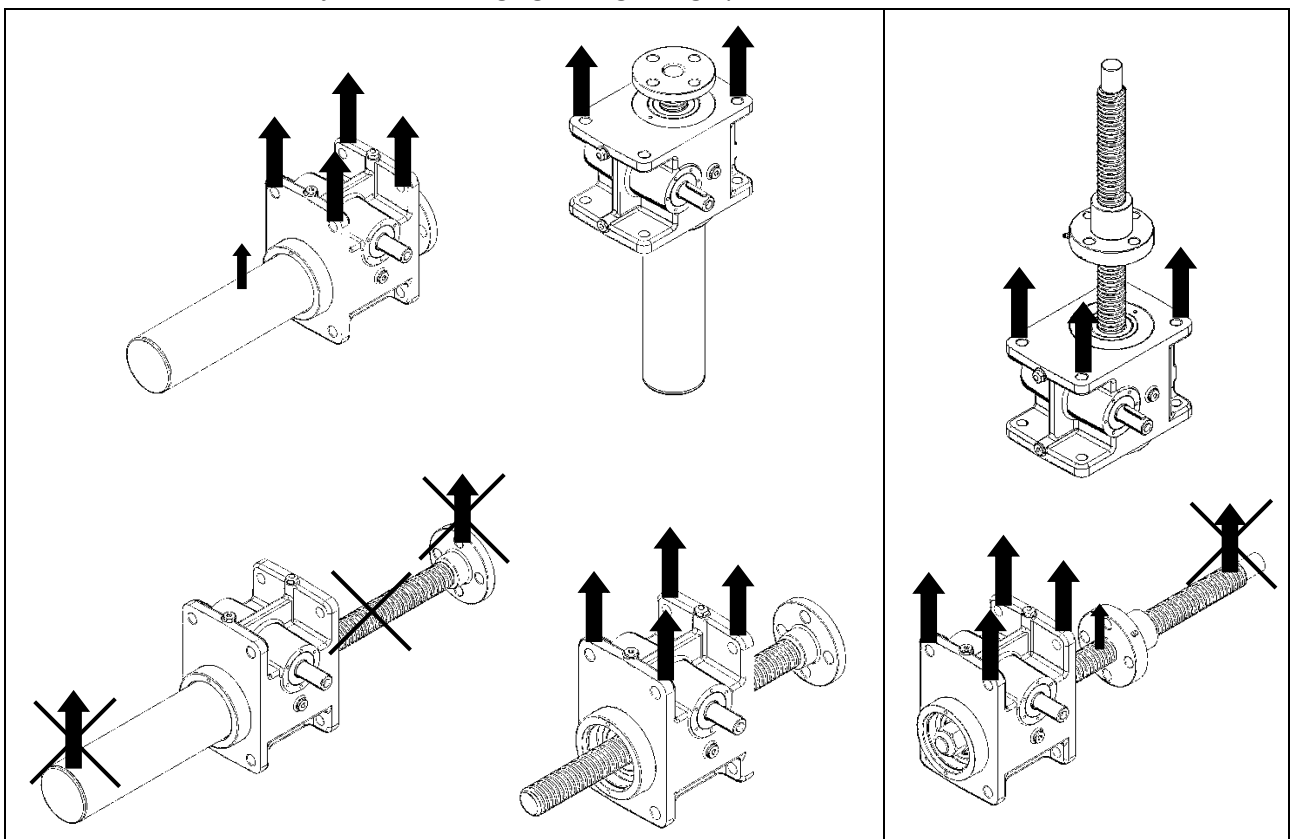


Figure 3.1 – Transport and handling of MA screw jacks

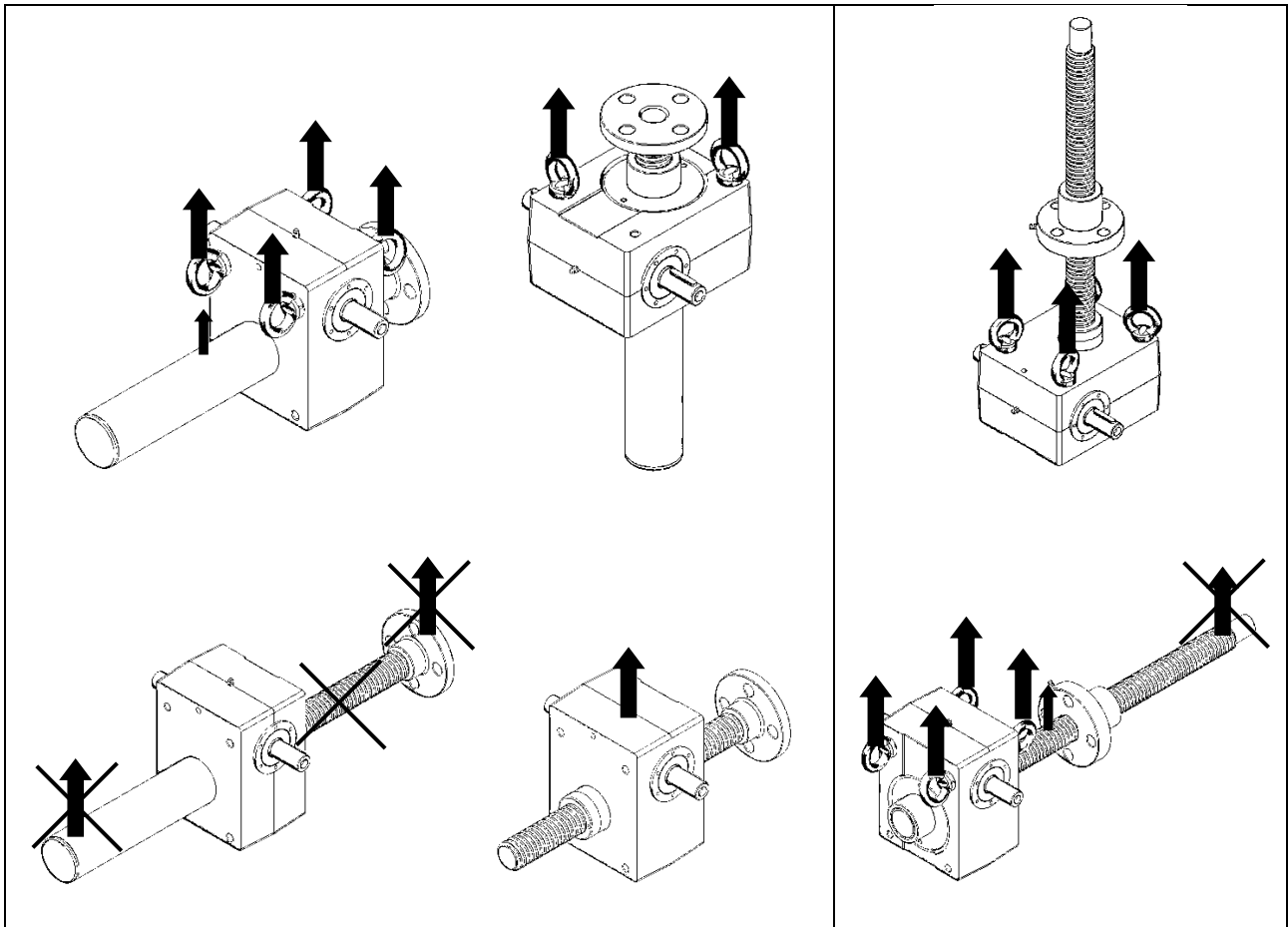


Figure 3.2 – Transport and handling of SJ screw jacks

- Before hoisting the screw jack, check the weight on the following table:

	MA 5	MA 10	MA 25	MA 50	MA 80	MA 100	MA 200	MA 350
Mass of the screw jack w/o acme screw [kg]	2.2	4.3	13	26	26	48	75	145
Mass for each 100mm acme screw [kg]	0.16	0.23	0.45	0.8	1.6	1.8	205	5.2

	SJ 5	SJ 10	SJ 25	SJ 50	SJ 100	SJ 150	SJ 200	SJ 250	SJ 300	SJ 350	SJ 400	SJ 600	SJ 800	SJ 1000
Mass of the screw jack w/o acme screw [kg]	1.5	2.3	10.4	25	35	55	75	75	120	120	260	260	800	800
Mass for each 100mm acme screw [kg]	0.16	0.23	0.45	0.8	1.6	1.8	2.5	3.4	4.4	5.5	5.5	7.9	10.9	14.2

In case of doubt, consult SERVOMECH S.p.A. to get the appropriate information and prevent any kind of damage!

4 USE RESTRICTION

The information contained in this chapter provides important prescriptions for operating safely during all phases of the product's life.

Not knowing or not complying with these provisions can generate dangerous situations that could cause damage to equipment and risks for the safety of persons.

4.1 *Intended use*

Screw jacks are used to perform very different functions within machines. It is the responsibility of the machine builder to design the application in compliance with the laws in force in the specific sector and in the field of safety, in compliance with the requirements provided in the product catalog and in this manual.

⚠ SCREW JACKS ARE ELECTRIC AXIS, WHATEVER DRIVER OR CONTROL WILL BE USED: THE SELECTION OF THE PRODUCT AS STROKE, SPEED, TYPE OF LIMIT SWITCHES, MOTOR AND BRAKE, MUST BE DONE ACCORDING TO THE BEHAVIOR EXPECTED, IN FUNCTION OF THE TYPE OF CONTROL CHOSEN AND THE STATIC AND DYNAMIC BEHAVIOR OF THE SYSTEM IN WHICH THE SCREW JACK IS PLACED!

The screw jacks have been designed and built to operate mobile parts of various types, shapes and construction, in the ways and within the limits set out in the descriptions and tables of the technical data in the catalog and in this user manual.

The screw jacks are designed to work with a purely axial applied load.

They must be subjected to the loading and speed conditions specified in the catalog.

Modification of parts of the screw jack or replacement of components with different and non-original parts is not permitted. The replacement of components with original spare parts is carried out only by Servomech S.p.A.

Any different use is to be considered improper and therefore potentially dangerous for the safety of the operators, as well as such as to void the contractual guarantee.

In the event of particular processing requirements, we recommend consulting our sales department.

Every modification must be authorized by Servomech S.p.A. with written documents.

⚠ ANY OTHER USE OUTSIDE THAT JUST DESCRIBED IS NOT PERMITTED BY SERVOMECH S.p.A.

4.1.1 Use restrictions

Screw jacks can not be used for unforeseen applications.

Any utilization of this device beyond its intended purpose may lead to potentially hazardous situations.

Therefore:

- Strictly adhere to all safety precautions and instructions in this operating manual.
- Do not allow this device to be subjected to weather conditions, strong UV rays, corrosive or explosive air media as well as other aggressive media (*).
- Do not modify, retool or change the structural design or individual components of the screw jack.
- Never use the device outside of the technical application and operational limits.

(*) – THE USE OF THE SCREW JACK IN ABOVE CONDITIONS MUST BE PREVIOUSLY DECLARED AND AGREED WITH SERVOMECH, SINCE A SPECIAL EQUIPMENT OF THE PRODUCT MUST BE PROVIDED.

4.1.2 Standard operating conditions

The screw jacks must be used in an environment whose conditions comply with the provisions of Servomech S.p.A. The works necessary for obtaining and maintaining that conditions are in charge of the owner and, where applicable, are in charge of the end user.

The screw jack must be installed and used indoor only, in dry area with environmental conditions as specified below:

- Temperature range +0°C ÷ +40°C
- Relative atmospheric humidity 5% ÷ 85%
- No build up of condensation

⚠ THE USE OF THE SCREW JACK IN DIFFERENT CONDITIONS THAN JUST DESCRIBED MUST BE PREVIOUSLY DECLARED AND AGREED WITH SERVOMECH, SINCE A SPECIAL EQUIPMENT OF THE PRODUCT MUST BE PROVIDED.

4.1.3 Thermal limit

The screw jack permissible duty cycle F_i [%] is the maximum working time expressed in percentage that the screw jack can perform during the reference time period, under rated load stated in the catalogue at ambient temperature 25°C, without risk of internal parts overheating.

$$F_i[\%] = \frac{\text{Max working time over reference time period}}{\text{reference time period}} \times 100$$

Permissible duty cycle F_i [%]	MA Series	SJ Series
F_i [%] over 10 min time period	40 %	30 %
F_i [%] over 1 hour time period	30 %	20 %

⚠ For the proper operation of screw jack do never exceed the permissible duty cycle limit. For more informations, please refer to technical catalogue.

4.2 Personnel requirements / Qualifications

This manual must be made available to the personnel in charge of installation, start up and use of the screw jack. It is the responsibility of the machine builder:

- use personnel with the necessary qualifications for the installation and commissioning of the screw jack;
- periodically check the qualification of the assigned personnel;
- check that the personnel in charge are aware of the contents of this manual.

5 STORAGE

- Do not store outside.
- Storage should be dry and dust-free.
- Keep away from any aggressive media.
- Protect from UV radiation.
- Avoid mechanical vibrations.
- Storage temperature: 0 to +50 °C.
- Relative atmospheric humidity: max. 95% (no build up of condensation).
- To store longer than 6 months, take care of moving the input shafts to prevent damages to sealings.
- Also check that all unpainted parts are adequately protected (oiled and /or greased) to prevent oxidation.

6 INSTALLATION

The operations described in the paragraphs of this chapter provide both electrical and mechanical connections of the screw jack, as well as the execution of test motions at reduced speed and motor torque or with small displacement steps.

6.1 Safety warnings

- ⚠ MOTORS CANNOT BE CONNECTED DIRECTLY TO THE ELECTRICITY GRID. A PROPER CIRCUITS AND DEVICES FOR MOVEMENT MANAGEMENT ON BOTH DIRECTIONS IS REQUIRED. STROKE END LIMIT SWITCHES (MICROSWITCHES OR SENSORS) MUST BE CONTROLLED TO BE SURE THE LINEAR MOVEMENT OF THE SCREW JACK (DUE TO THE OPERATION OF THE MOTOR OR TO THE INERTIA OF THE MOVING PARTS) STOPS BEFORE TO REACH THE MECHANICAL STROKE END LIMITS. IN CASE THIS HAPPENS, THE SCREW JACK CAN BE LOCKED AND THE INTERNAL COMPONENTS CAN BE DAMAGED.
- ⚠ WHEN THE MOTORS MUST BE POWERED BY A CONVERTER (ELECTRIC DRIVE), THIS MUST BE CHOSEN BY QUALIFIED PERSONNEL.
- ⚠ IN CASE THERE ARE INVOLVED ELECTRONIC DRIVE AND CONTROL DEVICES ON THE SCREW JACK MOVING CONTROL, REFER TO MANUALS FOR ALL THE NECESSARY INFORMATION AND CORRECT INSTALLATION AND MAINTENANCE OF THE PRODUCT.
- ⚠ BEFORE TO PROCEED TO THE ELECTRIC CONNECTION, MAKE SURE THE SUPPLY VOLTAGE IS TURNED OFF.
- ⚠ BEFORE TO TURN-ON THE MOTOR, MAKE SURE THE ELECTRIC CONNECTIONS ARE TIGHTENED AND STABLE.
- ⚠ CHECK POWER SUPPLY CABLES NOT TO BE DAMAGED DURING THE COMMISSIONING. POWER SUPPLY CABLES MUST BE OUT OF HEAT SOURCES AND MOVING ORGANS.
- ⚠ DURING FUNCTIONING ARE PRODUCED MAGNETIC, ELECTRIC AND ELECTROMAGNETIC FIELDS. THIS MAY BE DANGEROUS FOR PEOPLE THAT USE CARDIAC STIMULATOR (PACEMAKER), IF NOT SUFFICIENT DISTANCE.
- ⚠ DO NOT DISCONNECT ANY CONNECTION DURING OPERATION OR IN PRESENCE OF SUPPLY VOLTAGE.
- ⚠ BEFORE TO TURN-ON THE MOTOR, MAKE SURE THE MECHANICAL CONNECTIONS OF THE SCREW JACK REMAIN TIGHTENED AND STABLE, ALSO DURING THE OPERATION.
- ⚠ DURING THE COMMISSIONING, UNEXPECTED MOVEMENT OF THE MOTOR MAY BE CAUSED BY:
 - WIRING ERRORS
 - MOUNTING ERRORS
 - DAMAGES ON POWER SUPPLY CABLES
 - HARDWARE OR SOFTWARE ERRORS
 - DRIVER PARAMETERS ERRORS
 - OPERATION IN CONDITIONS OUTSIDE THE SPECIFICATIONS PROVIDED BY THE CATALOG AND THIS MANUAL
- ⚠ MAKE SURE THE SAFETY PROTECTION OF THE MACHINE (MECHANICAL AND ELECTRICAL) ARE ACTIVE.
- ⚠ DURING OPERATION, TEMPERATURE OF THE EXTERNAL SURFACE OF MOTORS OR SCREW JACKS CAN REACH HIGH TEMPERATURES. HOT SURFACES ON SCREW JACK CAN CAUSE BURNS AND SHOULD NOT BE TOUCHED.

6.2 FCP inductive proximity stroke limit switches

• FCP inductive proximity stroke limit switches are available only for travelling screw jacks (Mod.A).
The INDUCTIVE PROXIMITY STROKE LIMIT SWITCHES allow the screw jack to stop before reaching the internal mechanical stop avoiding damage. If intermediate sensors are present, they can be used to fix intermediate positions along the screw jack stroke length. The inductive proximity stroke end switches are fixed directly on the outer tube in the required position and are activated by a metallic ring fixed on the acme screw end.

- The switches position is not adjustable.
- The positions of the two limit switches are the extreme travel positions Lc and La (see Fig. 6.15).
- FC 1 – sensor for RETRACTED SCREW JACK Lc position
- FC 2 – sensor for EXTENDED SCREW JACK La position

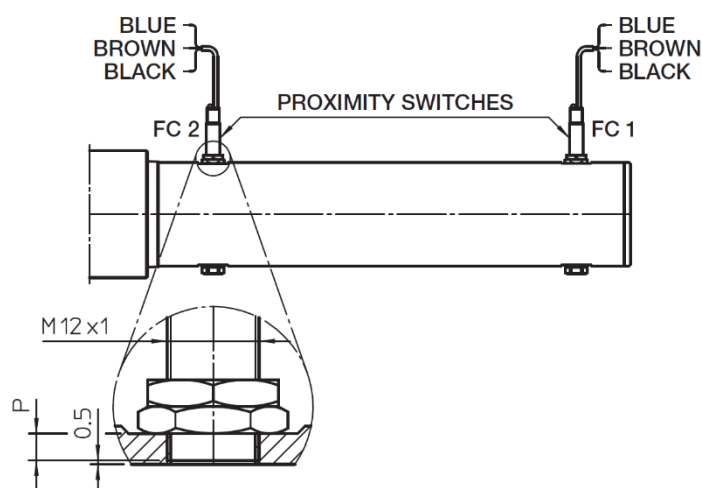


Figure 6.1 – FCP inductive proximity stroke limit switches

	Dimension P [mm]							
	MA 5	MA 10	MA 25	MA 50	MA 80	MA 100	MA 200	MA 350
T+FCP	3.5	3.5	3.5	3.5	3.5	3.5	3.5	3.5
T+AR+FCP	3.5	3.5	3.5	3.5	3.5	6	8.5	13.5
TG+FCP	3.5	3.5	3.5	3.5	8.5	8.5	8.5	8.5
TG+AR+FCP	3.5	3.5	3.5	3.5	3.5	6	8.5	13.5

	Dimension P [mm]								
	SJ 5	SJ 10	SJ 25	SJ 50	SJ 100 SJ 150	SJ 200 SJ 250	SJ 300 SJ 350	SJ 400 SJ 600	SJ 800 SJ 1000
T+FCP	3.5	3.5	3.5	3.5	8.5	8.5	3.5	8.5	6
T+AR+FCP	3.5	3.5	3.5	3.5	6	8.5	8.5	13.5	10

- Proximity switches are supplied already mounted on the screw jack and set to the correct sensing distance.
- ⚠ DO NOT CHANGE THE SENSING DISTANCE OF PROXIMITY SWITCHES BY MOVING THE TWO NUTS FIXED ON THE SENSOR.
- In case it is necessary to restore the correct sensing distance position, please refer to Fig. 6.1.
- In case the screw jack is not stopped after the sensor activation, when the metal ring moves away, the sensor restores the original state (becomes deactivated).
- In case the limit switches are used to stop the screw jack, we recommend to provide an electric connection in order to latch the signal and to prevent the screw jack from moving again in the same direction.
- ⚠ DO NOT TRAVEL OVER THE STROKE LIMIT SWITCHES POSITIONS, AVOIDING TO REACH MECHANICAL STOP AND PREVENTING DAMAGE TO THE INTERNAL COMPONENTS OF THE SCREW JACK.

6.2.1 Adjustable FCP proximity stroke limit switches

- The sensor position along the tube is adjustable in the defined range.
 - Proximity switches are supplied already mounted on the screw jack and set to the correct sensing distance.
 - The two nuts (nut and locknut) to adjust the sensing distance are locked with Loctite 270.
 - The extreme positions of the two limit switches on the slide are the extreme travel positions Lc and La (see Fig. 6.15)
 - To adjust the position of the sensor along the slide (see Fig. 6.2): unscrew the single nut, move the sensor to the required position, then screw the nut to fix it in position.
- ⚠ DO NOT CHANGE THE SENSING DISTANCE OF PROXIMITY SWITCHES BY MOVING THE TWO NUTS (NUT AND LOCKNUT) FIXED ON THE SENSOR.
- In case it is necessary to restore the correct sensing distance position “P” from the metallic ring (see Fig. 6.2): unscrew the two preloaded nuts, set the correct sensing distance from the metallic ring, screw the two nuts in position fixing them with Loctite 270.

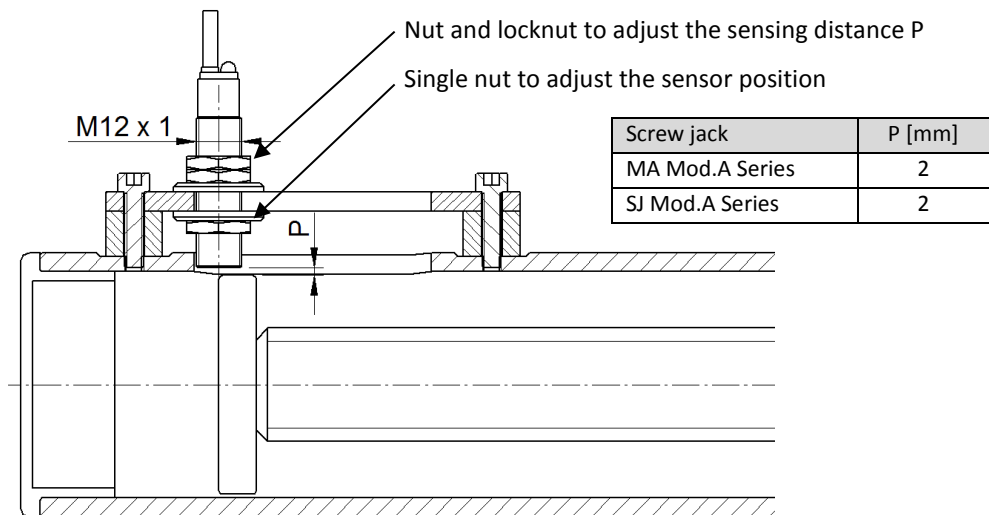
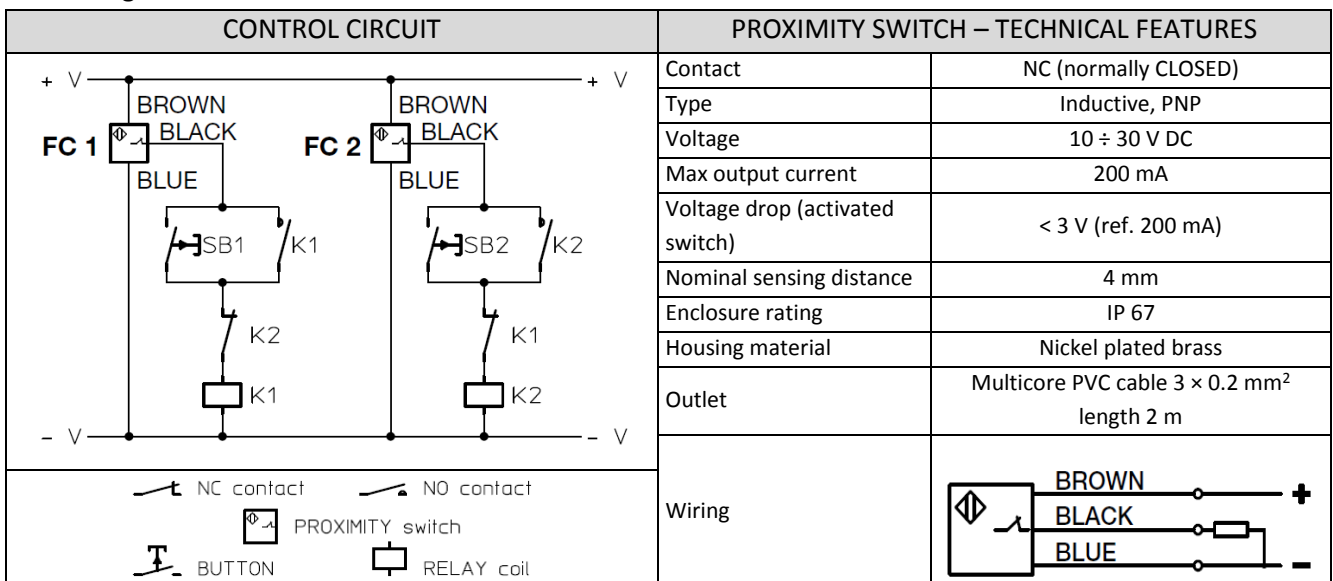


Figure 6.2 – adjustable FCP proximity limit switches

The PROXIMITY STROKE LIMIT SWITCHES must be connected to the electric control circuit as shown in the following WIRING DIAGRAM:



6.3 FCM magnetic stroke limit switches

- FCM magnetic stroke limit switches are available only for MA/SJ 5, MA/SJ 10, MA/SJ 25 travelling screw jacks (Mod.A).

The magnetic stroke end switches FCM allow to limit the screw jack stroke length avoiding to reach the extreme positions (mechanical stop) and preventing damage. Using more switches it is also possible to set intermediate positions along the screw jack stroke length. Magnetic limit switches are sensors with reed contact and are fitted with a clamp in the protective tube. They are activated by the magnetic field generated by a magnetic ring fitted on the travelling acme screw end.

- ⚠ The magnetic reed switches can work only if connected to a control circuit to activate electric relay.
- ⚠ DO NOT connect the reed switches in series between the power supply and the electric motor.
- The sensors are activated independently of their angular position on the tube.
- When using more contact reeds for intermediate positions, it shall be considered that the same reed switch can give the signal in 2 different positions, depending on the screw jack motion which can be retracting or extending.

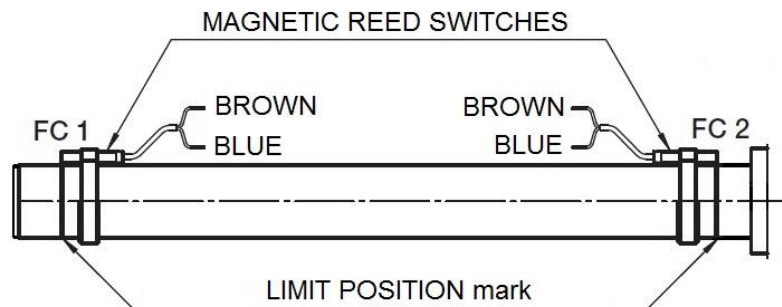


Figure 6.3 – FCM magnetic stroke limit switches

FCM magnetic limit switches are supplied already fixed on extreme stroke positions Lc and La (see Fig. 6.15):

- RETRACTED SCREW JACK (Lc) position: FC 1 reed switch fixed on proper limit marked on the protective tube.
- EXTENDED SCREW JACK (La) position: FC 2 reed switch fixed on proper limit marked on the protective tube or in contact with the housing cover.

The position of the reed switches can be adjusted by changing the fixing clamp position on the tube:

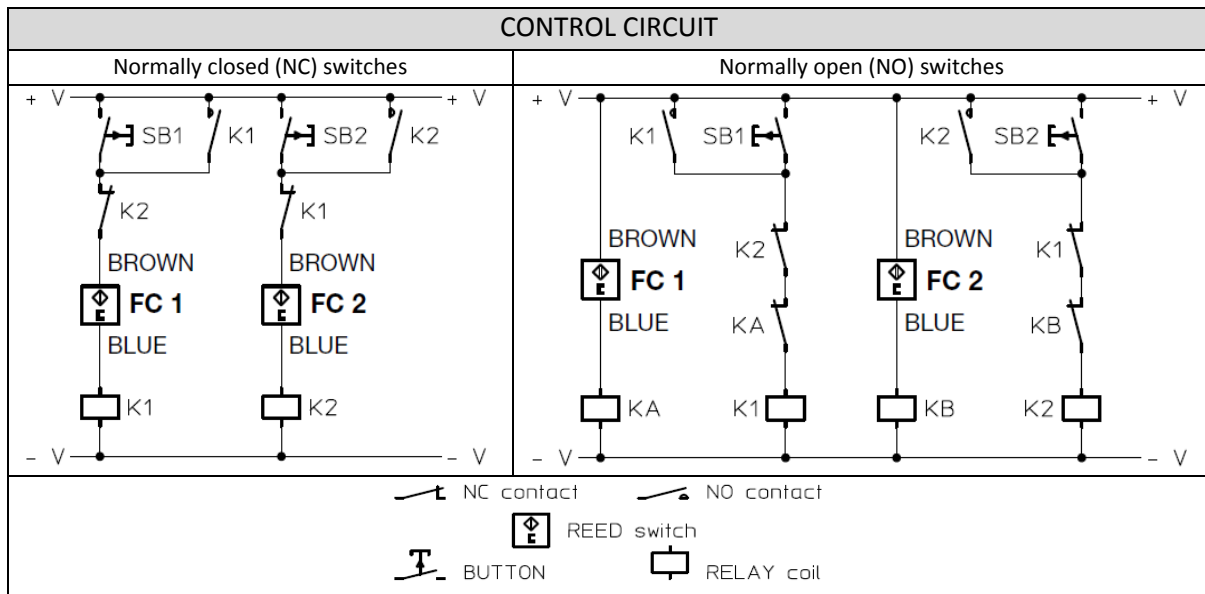
- Release the screw on the fixing clamp (do not release the fixing screw of the reed sensor)
- Move the fixing clamp on the tube to the desired position (do not exceed the maximum range Lc ... La)
- Fix the screw of the clamp.
- In case the screw jack is not stopped after the sensor activation, without magnetic field the sensor restores the original state.

⚠ In case the limit switches are used to stop the screw jack, we recommend to provide an electric connection in order to latch the signal and prevent the screw jack from moving again in the same direction.

⚠ DO NOT SET THE MAGNETIC SWITCH POSITION OVER THE LIMIT MARK ON THE TUBE.

⚠ DO NOT TRAVEL OVER THE STROKE LIMIT SWITCHES POSITIONS, AVOIDING TO REACH MECHANICAL STOP AND PREVENTING DAMAGE TO THE INTERNAL COMPONENTS OF THE SCREW JACK.

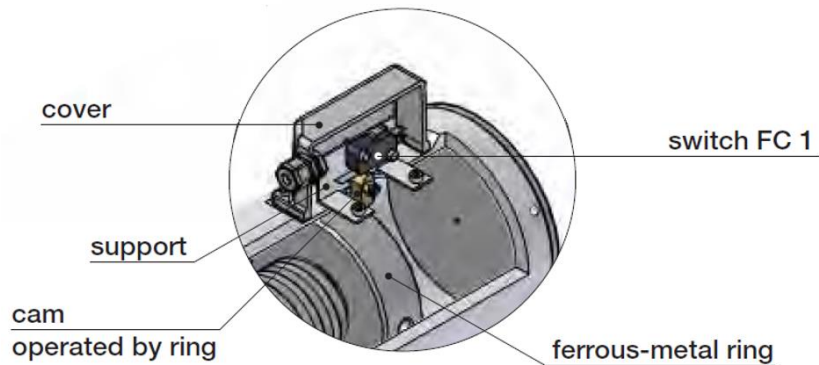
The MAGNETIC LIMIT SWITCHES must be connected to the electric control circuit as shown in the following WIRING DIAGRAM:



REED SWITCHES – TECHNICAL FEATURES		
Contact	NC	NO
Switching output	Reed	
Supply voltage	5 ÷ 120 V AC/DC ⁽¹⁾	5 ÷ 230 V AC/DC ⁽²⁾
Voltage drop	≤ 0.35 V	
Continuous current	≤ 100 mA (AC)	
Switching capacity	≤ 6 W	
Protection class	II	
Enclosure rating	IP 65	
Sensor housing material	Plastic	
Clamp material	Stainless steel, Zinc cast	
Outlet	Multicore PVC cable 2 × 0.12 mm ² length 2 m	
Wiring	 BN = brown BU = blue	

6.4 FC electric stroke limit switches

The ELECTRIC STROKE END SWITCHES FC allow to limit the screw jack stroke avoiding to reach the extreme positions (mechanical stops) and preventing damage. The device consists of two switch assemblies, each of them consisting of one miniature electric switch (FC 1, FC 2) fixed to the relative support, a switch operating cam, rotating around the relative support pin when operated by the ferrous-metal ring fixed to the screw end and a spring that allows the return of the cam to its neutral position, thus deactivating the switch; the entire assembly is covered by a cover and sealed by a rubber seal.



- The activation positions of the two limit switches are the extreme travel positions Lc and La (see Fig. 6.15).
- FC 1 – sensor for RETRACTED SCRE JACK (Lc) position
- FC 2 – sensor for EXTENDED SCREW JACK (La) position

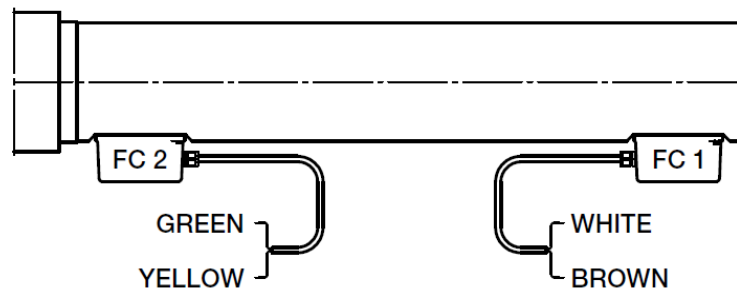
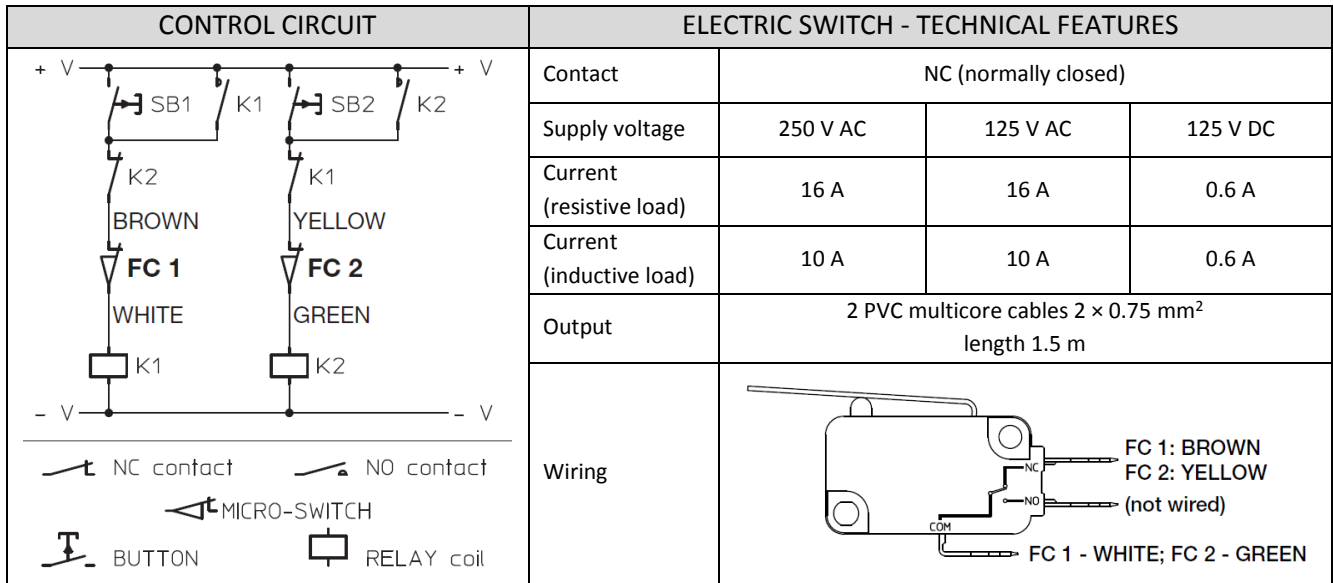


Figure 6.4 – Electric stroke limit switches FC

- The position of the assembly along the outer tube is not adjustable.
- The device cannot be used to fix any intermediate position.

The ELECTRIC STROKE LIMIT SWITCHES must be connected to the electric control circuit as shown in the following WIRING DIAGRAM:

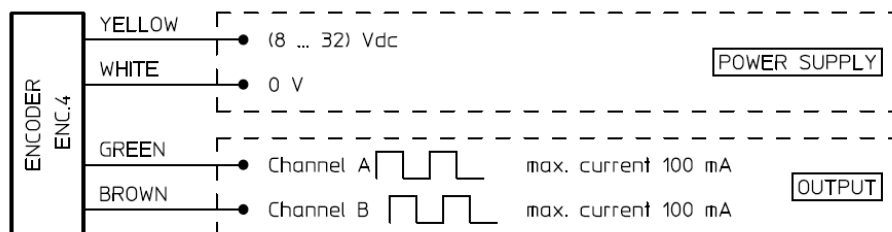


⚠ DO NOT TRAVEL OVER THE STROKE LIMIT SWITCHES POSITIONS, AVOIDING TO REACH MECHANICAL STOP AND PREVENTING DAMAGE TO THE INTERNAL COMPONENTS OF THE SCREW JACK.

6.5 Rotary encoder ENC.4

Encoder ENC.4 – TECHNICAL FEATURES	
Transducer type	Hall-effect encoder, incremental, bi-directional
Resolution	4 pulses per revolution
Output	PUSH-PULL 2 channels (A and B, phase difference 90°)
Supply voltage	8 ÷ 32 V DC
Max commutable current I_{OUT}	100 mA
Max output voltage drop	with load connected to 0 and $I_{OUT} = 100$ mA: 4.6 V with load connected to + V and $I_{OUT} = 100$ mA: 2 V
Protection	against short circuit against input polarity inversion against any incorrect output connection
Cable length	1.3 m
Enclosure rating	IP 55

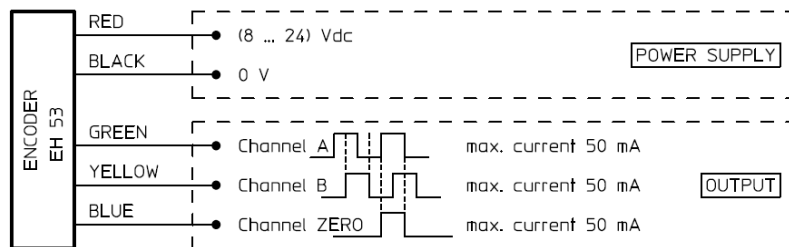
The rotary encoder ENC.4 must be connected to the electric control circuit as shown in the following WIRING DIAGRAM:



6.6 Rotary encoder EH53

Encoder EH53– TECHNICAL FEATURES	
Transducer type	Optical encoder, incremental, bi-directional
Resolution	100 or 500 pulses per revolution
Output	PUSH-PULL 2 channels (A and B, phase difference 90°) channel ZERO
Input voltage	8 ÷ 24 V DC
No-load current	100 mA
Max commutable current	50 mA
Cable length	0.5 m
Enclosure rating	IP 54

The rotary encoder ENC.4 must be connected to the electric control circuit as shown in the following WIRING DIAGRAM:



6.7 Safety nut MSA and MSB

- Available for both screw jacks models: with travelling screw (Mod. A) "MSA", and with travelling nut (Mod. B) "MSB".

The safety nut is a back-up feature to prevent the load dropping in an uncontrolled manner in the event of working nut thread breaking due to overload or achieving of critical wear level (wear level that causes the breaking of the remaining thread section with normal working load only).

The safety nut is an extension to the standard nut (wormwheel inside Mod.A screw jacks or external travelling nut of Mod.B screw jacks) and changes the screw jack overall dimensions.

- ⚠ THE SAFETY NUT WORKS WITH ONE PARTICULAR LOAD DIRECTION ONLY. ITS POSITION AS REGARDS THE STANDARD NUT IS CONDITIONED BY THE LOAD DIRECTION.

Following drawings show a screw jack with safety nut in case of acme screw subjected to push load. In case of pull load, the position of the nut would be on the opposite side of the screw jack housing (Mod. A) or of the external travelling nut (Mod. B).

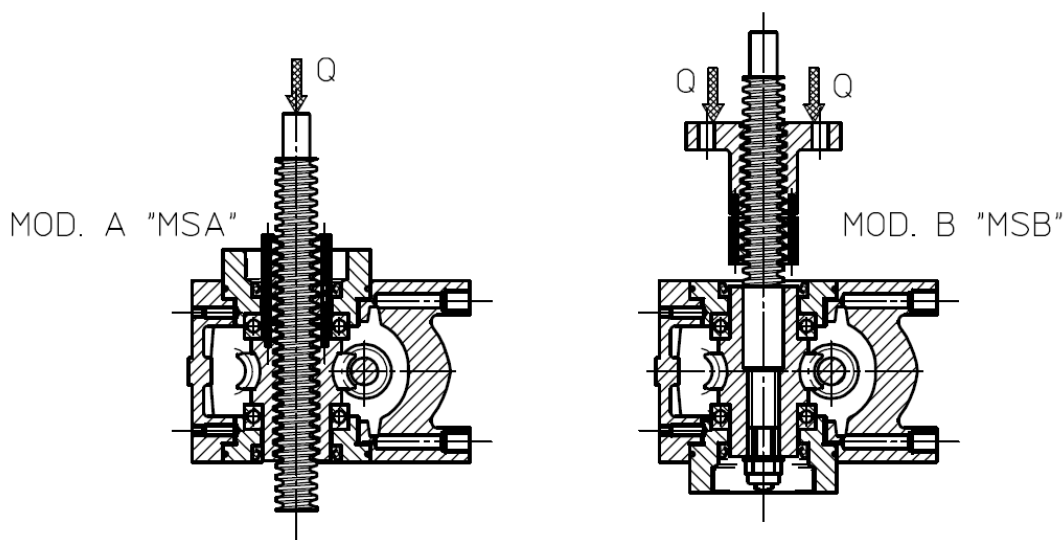


Figure 6.5 –Safety nut

Moreover, with the safety nut it is possible to visualize and to check the state of wear of the working nut (see Fig. 6.7).

- The distance **H**, measurable by a thickness gauge, is equal to a half of the thread pitch when the working bronze nut is new.
- The distance **H** decreases during the time and indicates the WORKING NUT THREAD WEAR LEVEL.

Dimension H [mm] with new bronze nut													
MA 5	MA 10	MA 25	MA 50	MA 80	MA 100	MA 200	MA 350						
2	2.5	3	3.5	4.5	6	6	8						
Dimension H [mm] with new bronze nut													
SJ 5	SJ 10	SJ 25	SJ 50	SJ 100	SJ 150	SJ 200	SJ 250	SJ 300	SJ 350	SJ 400	SJ 600	SJ 800	SJ 1000
—	2.5	3	3.5	4.5	6	6	6	6	6	6	7	7	8

Table 6.6 – Dimension H with new bronze nut

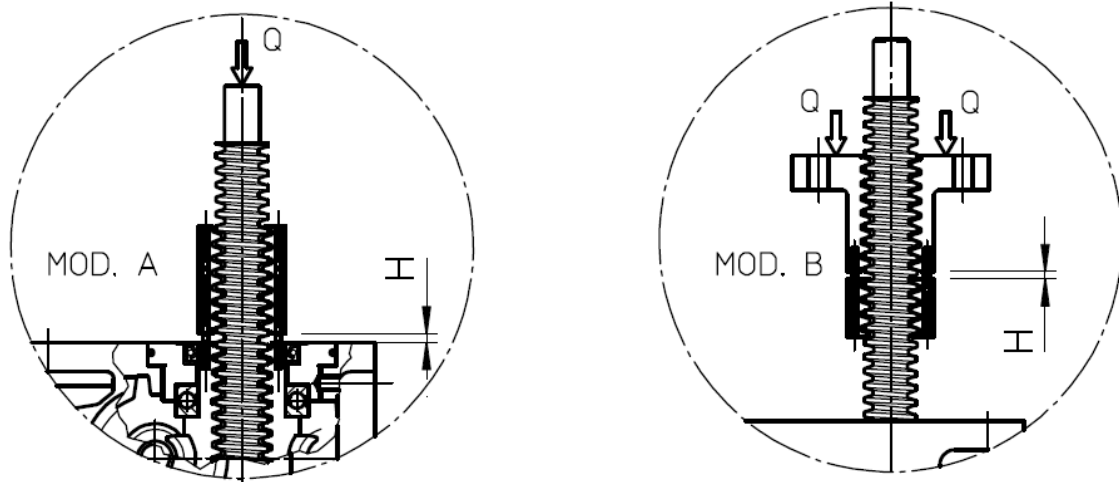


Figure 6.7 – working nut thread wear level

- ⚠ When the distance **H** between the working nut and the safety nut reaches a quarter of the thread pitch (half of the dimension indicated in Table 6.6), it indicates a CRITICAL SITUATION: STOP THE SYSTEM AND REPLACE THE WORKING BRONZE NUT.

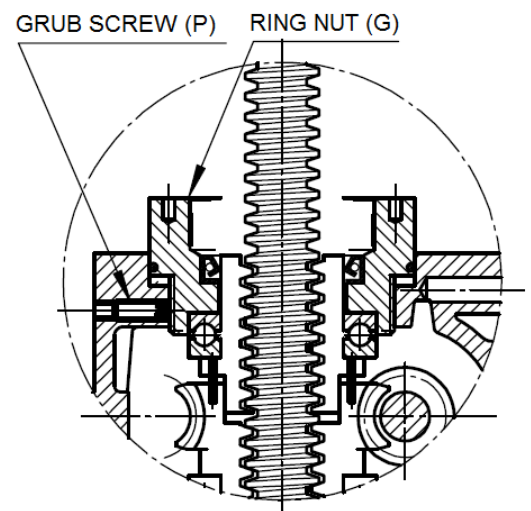
6.8 Adjustable axial backlash device RMG

- Available only for travelling screw jacks MA Mod.A Series.

The adjustable backlash device RMG is a manual device which reduces axial backlash between acme screw and bronze nut, allowing high positioning precision. With the RMG device it is also possible to compensate the wear of the nut thread.

In order to adjust the axial backlash, please follow below instructions:

- Release the grub screw (P) placed on the side of the housing, which locks the ring nut (G).
- With a compass wrench act on the ring nut (G). By turning the ring clockwise, the axial backlash will be reduced; by turning the ring counterclockwise it will be increased.
- Check the axial backlash by pushing-pulling the acme screw.
- ⚠ WARNING: DO NOT completely eliminate the axial backlash with an excessive clockwise tightening of the ring nut. This will cause locking and damaging of the acme screw and nut.
- Once reached the correct axial backlash, lock the ring nut (G) with of the grub screw (P). Between the grub screw and the ring nut, a copper plug is placed to prevent the thread of the ring nut from being damaged.



6.9 Electric motor wiring

6.9.1 AC 3-phase asynchronous motor

Connect the motor to the power unit of the plant or to the driver according to the following wiring diagrams, related to the motor type:

- AC 3-phase motor without brake
- AC 3-phase motor with DC brake directly powered with rectifier
- AC 3-phase motor with 3-phase brake directly powered
- AC 3-phase motor with DC brake separately powered AC 1-phase with rectifier
- AC 3-phase motor with AC 3-phase brake separately powered
- AC 3-phase motor with DC brake separately powered AC 2-phase with rectifier
- AC 3-phase motor with DC brake separately powered

In case of brake motor:

- the brake is NORMALLY CLOSED (NEGATIVE action). When the power supply is switched off, the brake is engaged. The brake opens only when power is supplied;
- if the brake is wired directly to the connecting pins of the terminal box, it does not require any power supply;
- if the brake is wired separately, make sure that the correct voltage is used;
- if the brake is equipped with hand release device, make sure that the brake is engaged before starting the linear actuator.

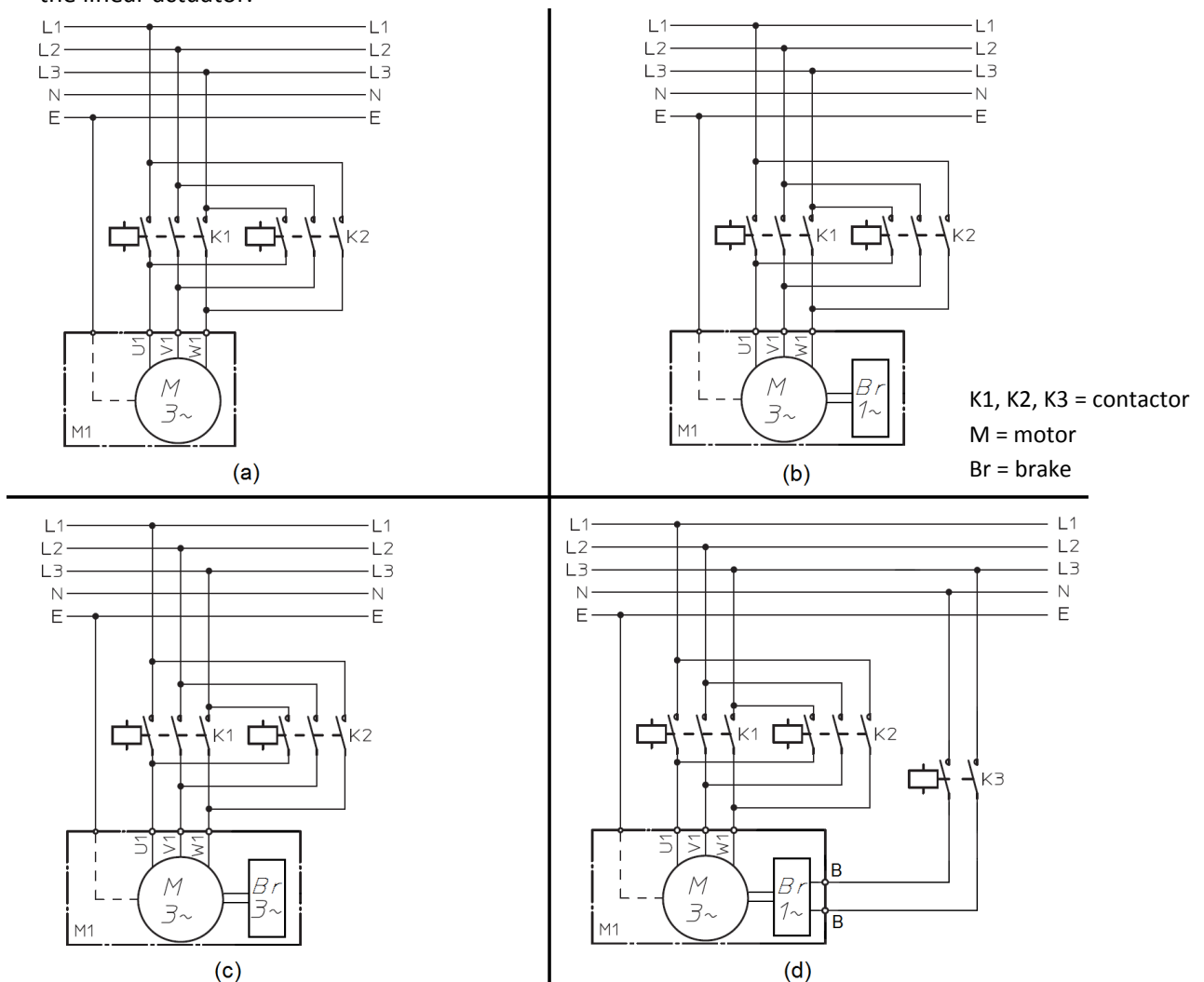


Figure 6.8 – Electric wiring diagrams to power supply of AC 3-ph motor

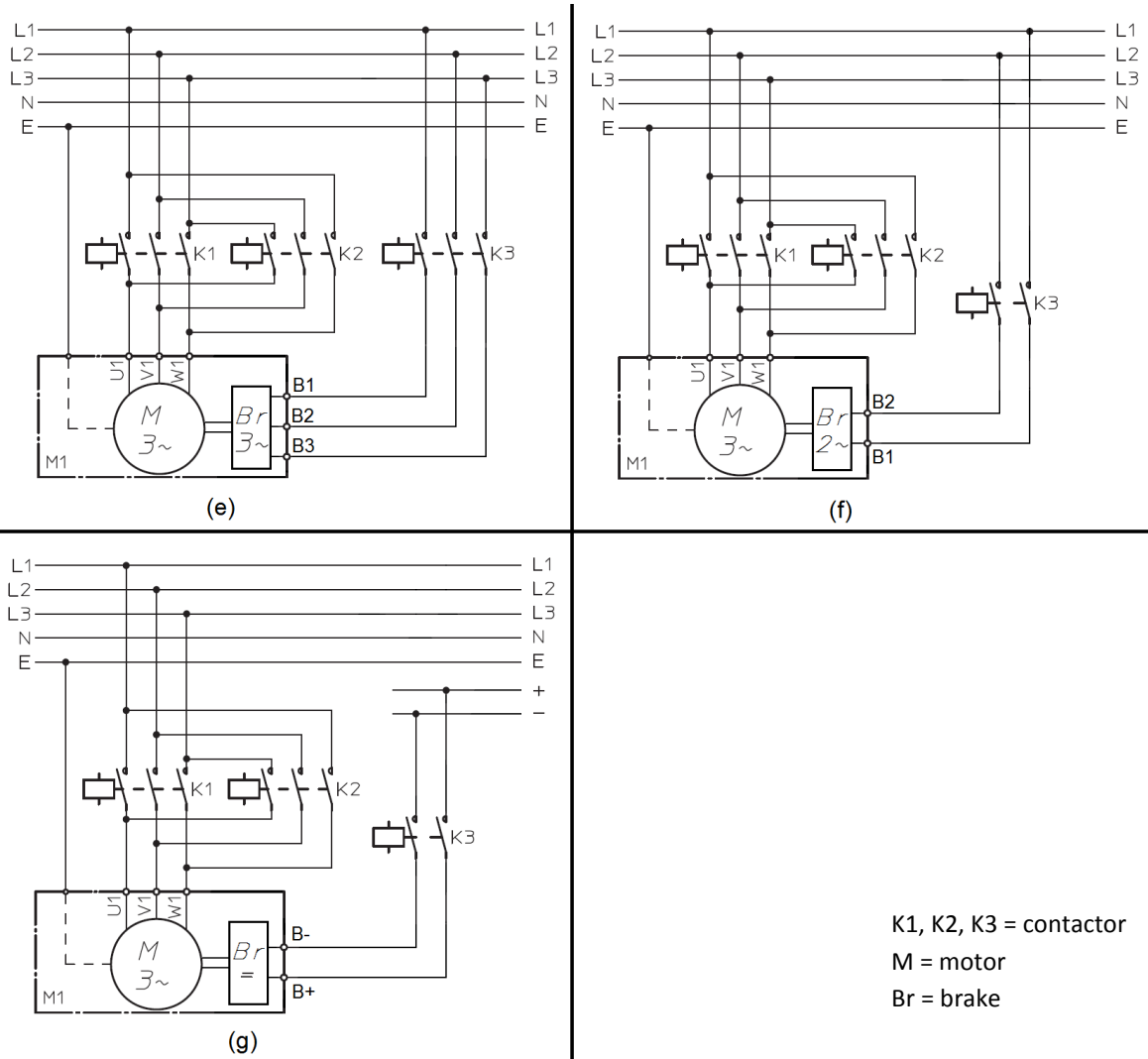


Figure 6.8 – Electric wiring diagrams to power supply of AC 3-ph motor

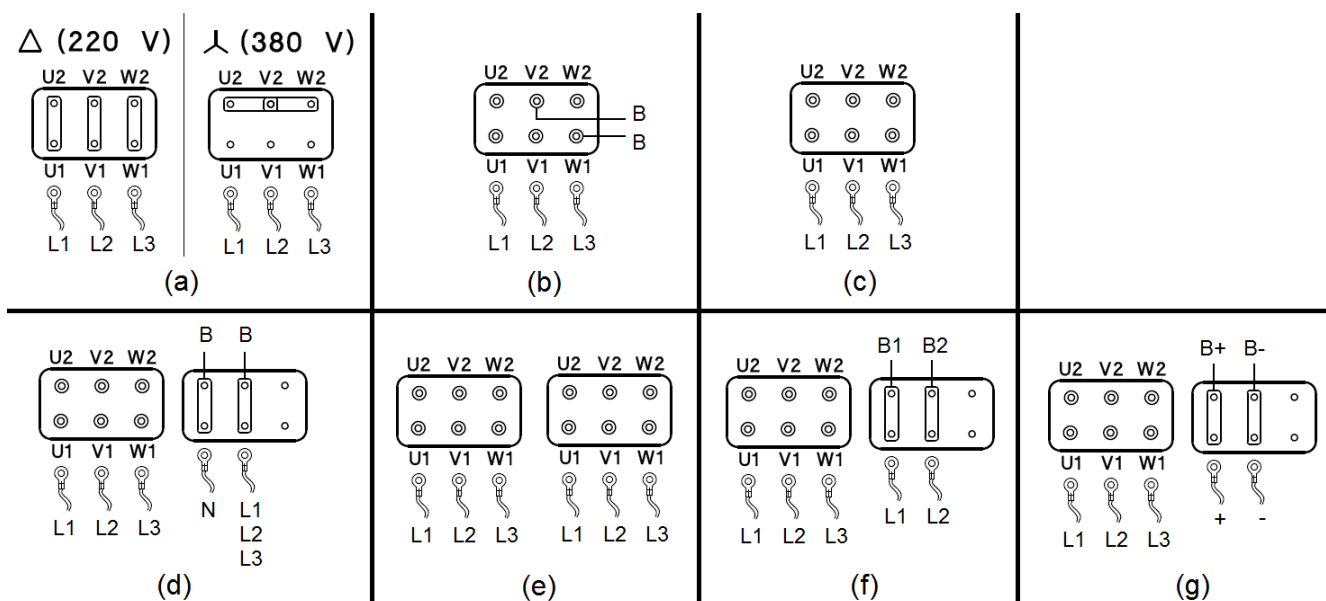


Figure 6.9 – Electric wiring diagrams to motor terminal board of AC 3-ph motor

⚠ IN CASE OF ELECTRIC MOTOR DIFFERENT FROM THE ABOVE MENTIONED, PLEASE REFER TO INSTALLATION INSTRUCTIONS SUPPLIED BY THE MANUFACTURER.

6.9.2 AC 1-phase asynchronous motor with balanced winding

Connect the motor to the power unit of the plant or to the driver according to the following wiring diagrams, related to the motor type:

- (a) AC 1-phase motor without brake
- (b) AC 1-phase motor with DC brake separately powered AC 1-phase with rectifier

In case of brake motor:

- the brake is NORMALLY CLOSED (NEGATIVE action). When the power supply is switched off, the brake is engaged. The brake opens only when power is supplied;
- the brake is wired separately, make sure that the correct voltage is used;
- if the brake is equipped with hand release device, make sure that the brake is engaged before starting the linear actuator.

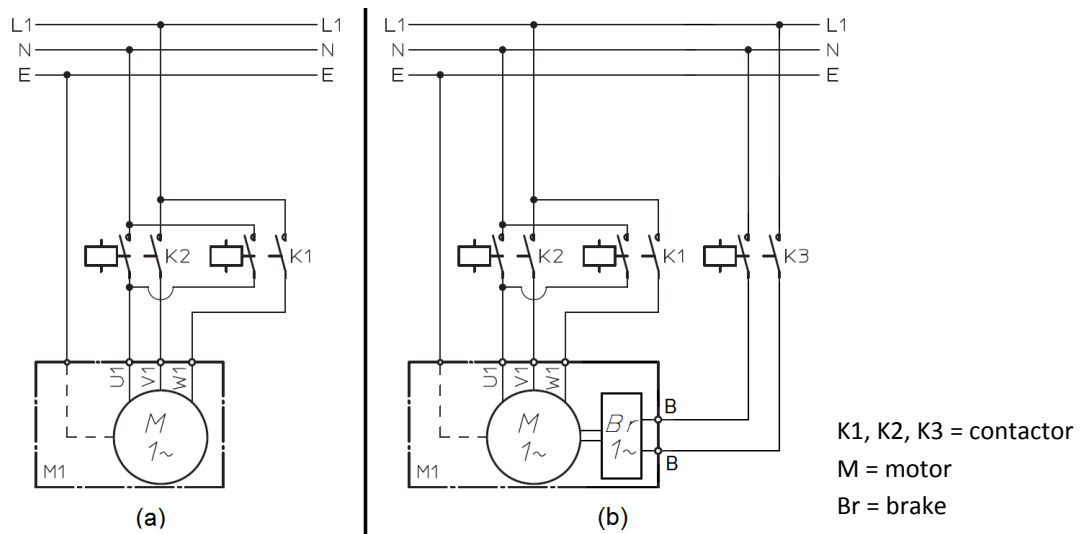


Figure 6.10 – Electric wiring diagrams to power supply of AC 1-ph motor

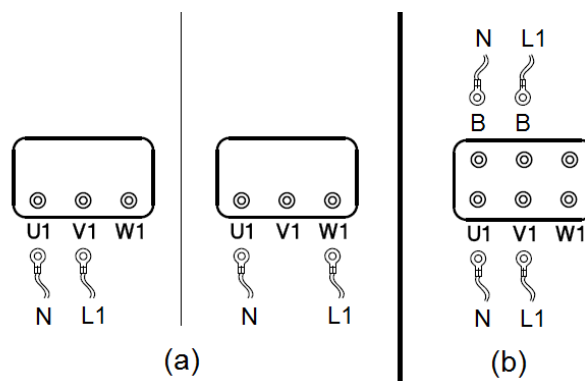


Figure 6.11 – Electric wiring diagrams to motor terminal board of AC 1-ph motor

⚠ IN CASE OF ELECTRIC MOTOR DIFFERENT FROM THE ABOVE MENTIONED, PLEASE REFER TO INSTALLATION INSTRUCTIONS SUPPLIED BY THE MANUFACTURER.

6.9.3 DC motor

Connect the motor to the power unit of the plant or to the driver according to the following wiring diagrams, related to the motor type:

- (a) DC motor without brake
- (b) DC motor with DC brake separately powered

In case of brake motor:

- the brake is NORMALLY CLOSED (NEGATIVE action). When the power supply is switched off, the brake is engaged. The brake opens only when power is supplied;
- the brake is wired separately, make sure that the correct voltage is used;
- if the brake is equipped with hand release device, make sure that the brake is engaged before starting the linear actuator.

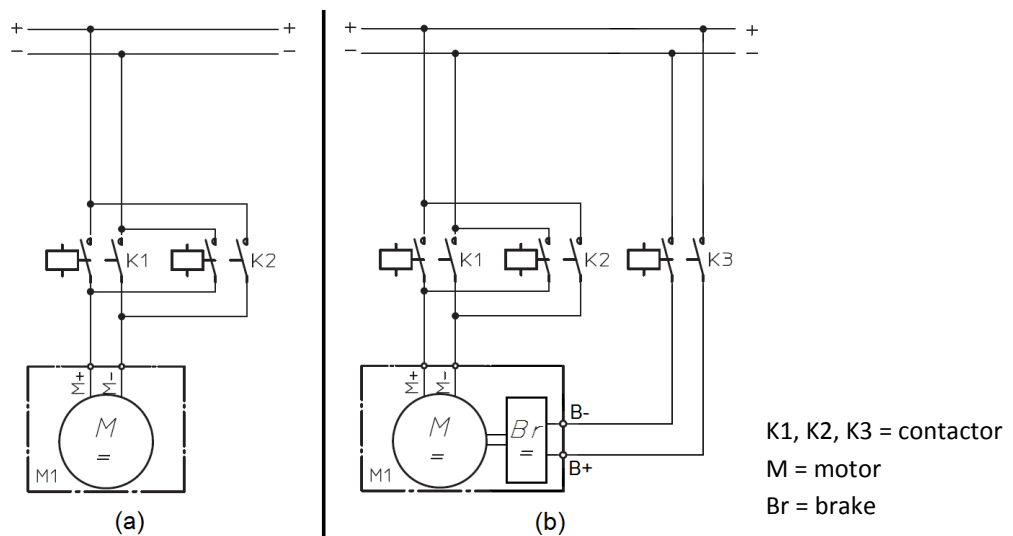


Figure 6.12 – Electric wiring diagrams to power supply of DC motor

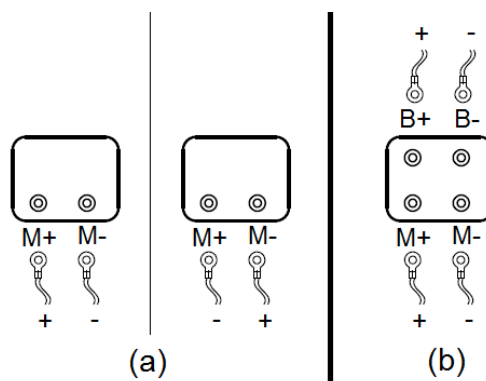


Figure 6.13 – Electric wiring diagrams to motor terminal board of DC motor

⚠ IN CASE OF ELECTRIC MOTOR DIFFERENT FROM THE ABOVE MENTIONED, PLEASE REFER TO INSTALLATION INSTRUCTIONS SUPPLIED BY THE MANUFACTURER.

After electric motor installation, check if the screw jack shifting direction is compatible to the indications on the control unit, by powering the electric motor on VERY BRIEFLY.

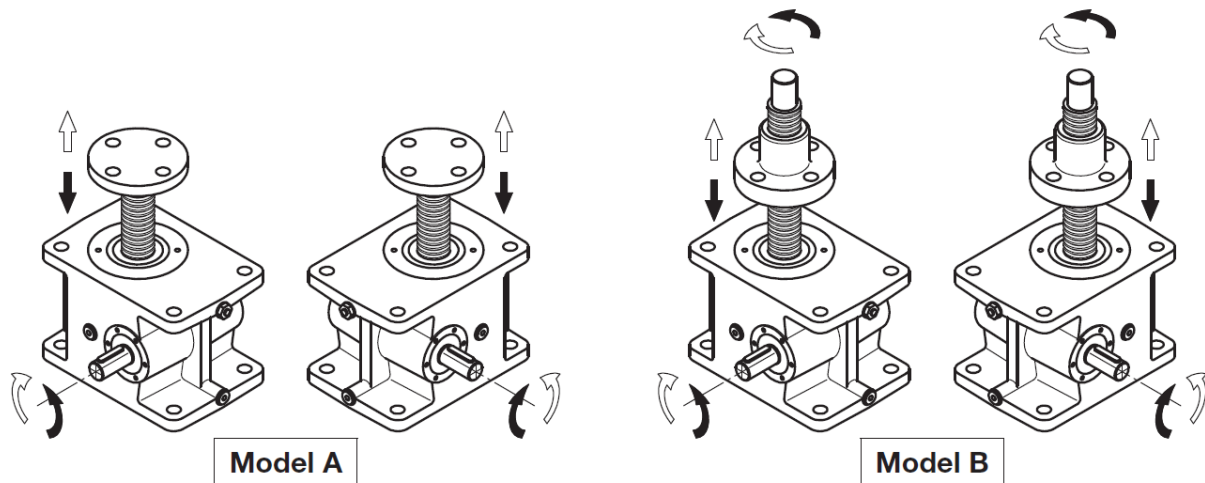


Figure 6.14 –Screw jack shifting directions

If the screw jack shifting directions are not compatible:

- A) THREE-PHASE MOTOR: invert any wire pair ($U1 \leftrightarrow V1$, or $U1 \leftrightarrow W1$, or $V1 \leftrightarrow W1$) into the terminal board;
- B) SINGLE-PHASE MOTOR: change the contact ($V1 \leftrightarrow W1$);
- C) DIRECT CURRENT MOTOR: invert contacts of the two motor supply cables.

6.10 Travelling screw jack (Mod.A) installation

- ⚠ ALL MECHANICAL AND ELECTRICAL PROTECTION MUST BE INSTALLED AND ACTIVATED TO PREVENT DAMAGE TO PERSONS OR PROPERTY.
- Check that all plant fixing elements are well machined and cleaned, and that they fit the dimensions of the screw jack fixing elements they have to be fixed to.
- If the position of the acme screw have to be changed (acme screw more retracted or extended) during installation, rotate the input shaft in proper direction (see Fig. 6.14).
- For screw jacks with electric motor: power the motor with limited speed and torque values, in order to avoid possible damages in case of a mechanical stop is reached.
- In case of screw jack without anti-rotation device (AR), it is possible to manually screw/unscrew the acme screw to change the length of the screw jack.
- In case of screw jack with bellow protection (B): DO NOT TWIST THE BELLOW.
- ONLY FOR MA SCREW JACKS: the gearbox is oil lubricated; to avoid leakage during transport, the BREATHER of the housing is replaced by a plug. The breather is supplied unmounted, with the screw jack. AFTER INSTALLATION, PLEASE MOUNT THE BREATHER IN THE PROPER HOLE POSITION, AS SHOWN IN FIG 2.1.
- ⚠ THE BREATHER HOLE POSITION IS INDICATED BY A MARKER.
- ⚠ THE BREATHER MUST ALWAYS BE IN UPPER POSITION.
- ⚠ DO NOT SET THE LENGTH OF THE SCREW JACK OVER ITS EXTREME VALUES:
 - “Lc” = retracted screw jack length
 - “La” = extended screw jack length

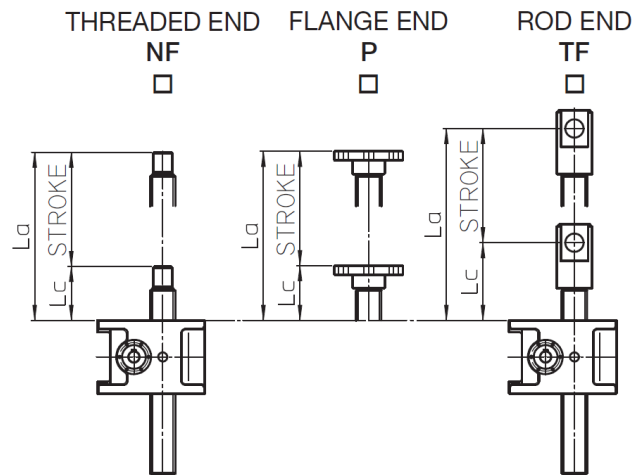


Figure 6.15 – “Lc” and “La” dimensions for Mod.A screw jacks

Dimensions “Lc” and “La” are indicated on the check sheet supplied with the screw jack.

- Fit the screw jack to the plant in order to have ONLY AXIAL LOAD applied to the acme screw.
- Check the axis of the acme screw and the screw jack fixing surface are perpendicular.
- Check the supporting surfaces of the screw jack and the load are parallel.
- In case of screw jack with TRUNNION MOUNT (SC): the front and rear pin must be PARALLEL.

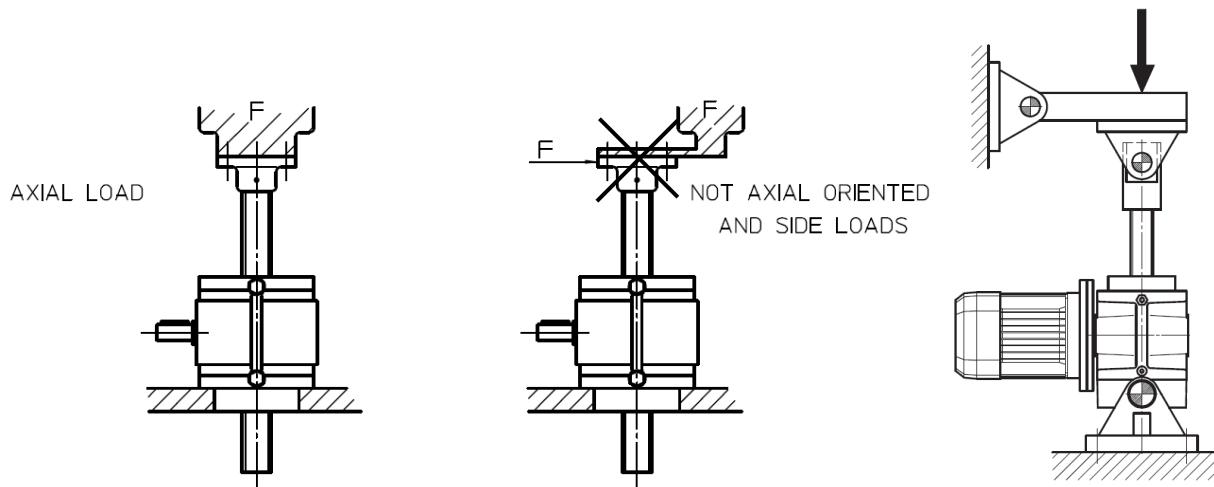


Figure 6.16 – Mounting of Mod.A screw jack

- ⚠ RIGHT WORKING OF THE SCREW JACK AND PLANT CANNOT BE GUARANTEED IF SIDE OR NOT AXIAL LOAD ARE APPLIED TO THE ACME SCREW.

6.11 Travelling nut screw jack (Mod.B) installation

- ⚠ ALL MECHANICAL AND ELECTRICAL PROTECTION MUST BE INSTALLED AND ACTIVATED TO PREVENT DAMAGE TO PERSONS OR PROPERTY.
- Check that all plant fixing elements are well machined and cleaned, and that they fit the dimensions of the screw jack fixing elements they have to be fixed to.
- If the position of the acme nut have to be changed during installation, screw/unscrew the nut on the acme screw.
- To change the position of the acme nut without rotating it, rotate the input shaft of the screw jack in proper direction (see Fig. 6.14).
- For screw jacks with electric motor: power the motor with limited speed and torque values, in order to avoid possible damages in case of a mechanical stop is reached.
- In case of screw jack with bellow protection (B): DO NOT TWIST THE BELLOW.
- ONLY FOR MA SCREW JACKS: the gearbox is oil lubricated; to avoid leakage during transport, the BREATHER of the housing is replaced by a plug. The breather is supplied unmounted, with the screw jack. AFTER INSTALLATION, PLEASE MOUNT THE BREATHER IN THE PROPER HOLE POSITION, AS SHOWN IN FIG 2.1.
- ⚠ THE BREATHER HOLE POSITION IS INDICATED BY A MARKER.
- ⚠ THE BREATHER MUST ALWAYS BE IN UPPER POSITION.

⚠ DO NOT SET THE LENGTH OF THE SCREW JACK OVER ITS EXTREME VALUES:

- “Lc” = retracted screw jack length
- “La” = extended screw jack length

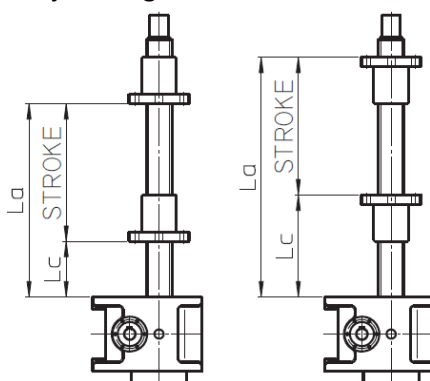


Figure 6.17 – “Lc” and “La” dimensions for Mod.B screw jacks

Dimensions “Lc” and “La” are indicated on the check sheet supplied with the screw jack.

- Fit the screw jack to the plant in order to have ONLY AXIAL LOAD applied to the acme screw.
- Provide RADIAL support to the CYLINDRICAL ROTATING END (N) of the acme screw with a bearing.
- The cylindrical end (N) must be free to move in axial direction: DO NOT FIX IT.
- Check the axis of the acme screw and the screw jack fixing surface are perpendicular.
- Check the supporting surfaces of the screw jack and the load are parallel.
- In case of screw jack with TRUNNION MOUNT (SC): the pins on the housing and the pins on the acme nut must be PARALLEL.

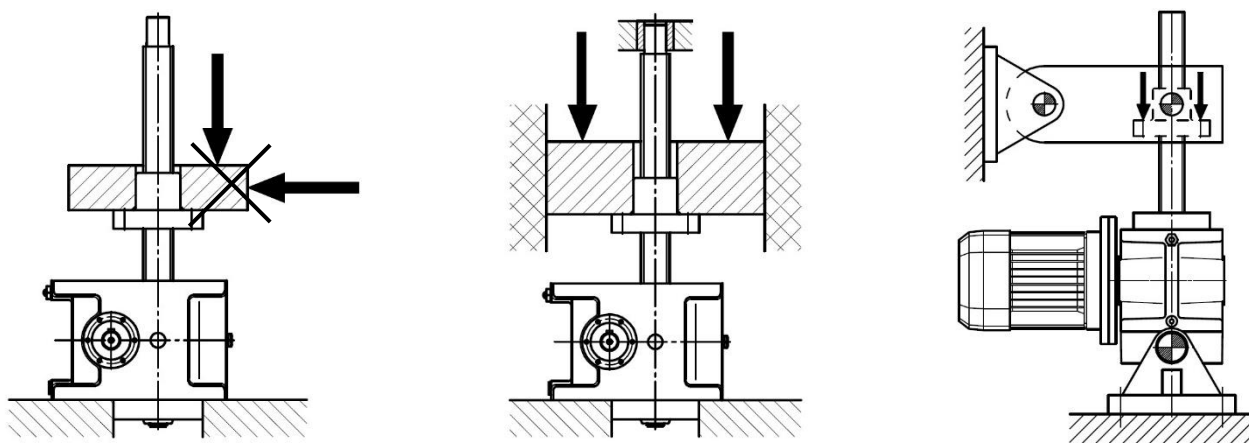


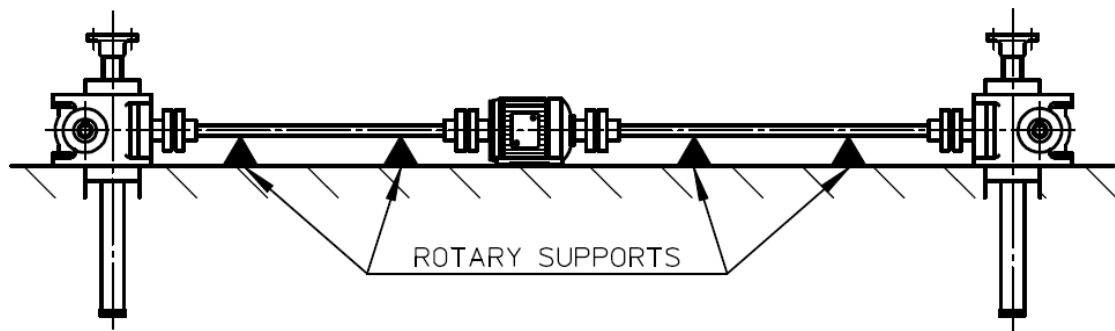
Figure 6.18 – Mounting of Mod.B screw jacks

⚠ RIGHT WORKING OF THE SCREW JACK AND PLANT CANNOT BE GUARANTEED IF SIDE OR NOT AXIAL LOAD ARE APPLIED TO THE ACME SCREW.

6.12 Installation of screw jack lifting system

The installation of many screw jacks for SYNCHRONIZED lifting movement requires particular attention on two different factors:

- alignment of load support points: screw end in case of travelling acme screw (Mod.A), bronze nut in case of travelling nut (Mod.B);
- use of connecting shafts and couplings with high torsional stiffness, to assure a perfect synchronism of all lifting points.
- drive shafts have to be aligned and supported so that any vibration or dangerous bending of the transmission should not occur.



6.13 Installation of fitting elements on threaded end (Mod.A)

- ⚠ To install a mounting element on the threaded end (NF), fix the acme screw shaft with a clamp to counterhold the locking torque.
- ⚠ In case of screw jack equipped with AR (anti-rotation) device: DO NOT TRANSFER ANY TORQUE TO THE ACME SCREW.
- ⚠ WARNING: in case of torque transfer into the acme screw with AR device, the internal mechanical components can be damaged.
- Fix the threaded element with Loctite 270.
- To unmount the element, heat the threaded area to unlock it.
- Unscrew the fitting element counterholding the torque on the acme screw shaft.

7 COMMISSIONING AND USE

If not otherwise agreed, SERVOMECH acme screw jacks are supplied in the following conditions:

- GEARBOX is lubricated
- ACME SCREW/NUT is not lubricated

⚠ **ATTENTION! BEFORE TO START USING THE SCREW JACK, THE ACME SCREW/NUT MUST BE LUBRICATED.** Lubricant type and lubrication procedure are described in Sections 8 and 9.

Before to start commissioning and activation, the following checks must be carried out:

Shifting direction check

- Check if the screw jack shifting direction is compatible to the indications on the control unit, by powering the electric motor on VERY BRIEFLY. If not, see Section 6.8.
- ⚠ For travelling screw jacks (Mod.A) without ANTI-ROTATION device (AR): TO ALLOW THE TRANSLATION OF THE ACME SCREW, THE ACME SCREW ROTATION MUST BE REACTED BY USING EXTERNAL GUIDES.

Check of extreme working positions

- Check if the extreme dimensions of the screw jack “Lc” and “La” (see Fig. 6.15 - 6.17) are compatible with extreme positions of the plant component that has to be moved.
- Measure the initial length of the screw jack, then run the screw jack GRADUALLY from the control unit, in order to reach the plant to its more distant extreme position.
- Check continuously the current screw jack length during the motion.
- Repeat the same procedure for the other extreme position.
- ⚠ TO AVOID DAMAGES, DO NOT TRAVEL OVER THE EXTREME STROKE VALUES Lc and La! The Lc and La dimensions are indicated on the check sheet supplied with the product.
- ⚠ DO NOT REACH STROKE END MECHANICAL STOP!

Commissioning

At this stage it is possible to start commissioning:

- Carry out one complete working cycle, without load, adjusting the previously set limit switch positions if necessary (see Sections 6.2.1, 6.3).
- Carry out some complete working cycles, increasing gradually the load, until full load is reached.
- ⚠ DURING COMMISSIONING, DO NEVER EXCEED THE MAX ALLOWED DUTY CYCLE FOR THE SCREW JACK:
MA screw jack: **40% OVER 10 MIN** TIME PERIOD AT 25°C ENVIRONMENT
SJ screw jack: **30% OVER 10 MIN** TIME PERIOD AT 25°C ENVIRONMENT
ANY ABUSE OF SUCH DUTY CYCLE CAN CAUSE OVERHEATING AND UNINTENTIONAL PREMATURE DAMAGING!

8 LUBRICATION

SERVOMECH acme screw jacks are supplied with following lubricants:

SCREW JACK	GEARBOX	ACME SCREW – NUT ANTI-ROTATION DEVICE
MA 5	Grease (NLGI 00 DIN 51818): AGIP Grease SLL 00	Grease (NLGI 2 DIN 51818): SHELL Gadus S2 U460L 2 Also suitable: ENI Grease NF CASTROL Tribol GR HT 2 MOBIL Mobiltemp SHC100
MA 10		
MA 25	Oil (viscosity at 40°C ASTM D 445: 320 mm/s²): ENI Blasia S 320 Also suitable: SHELL Omala S4 WE 320 CASTROL Alphasyn PG 320 MOBIL Glygoyle 320	
MA 50		
MA 80		
MA 100		
MA 200		
MA 350		
SJ 5		
SJ 10		
SJ 25		
SJ 50		
SJ 100		
SJ 150		
SJ 200		
SJ 250		
SJ 300		Grease (NLGI 00 DIN 51818): AGIP Grease SLL 00
SJ 350		
SJ 400		
SJ 600		
SJ 800		
SJ 1000		

Table 8.1 – Lubricants

- ⚠ **ATTENTION!** The first acme screw lubrication must be done by the customer during the installation and strictly before using the screw jack. For lubrication procedure see Section 9.
- ⚠ DO NOT USE LUBRICANTS DIFFERENT FROM THOSE ABOVE MENTIONED.
- ⚠ DO NOT MIX INCOMPATIBLE LUBRICANTS.
- ⚠ IF DIFFERENT LUBRICANT SHOULD BE USED, PLEASE CONTACT SERVOMECH BEFORE PROCEED.
- ⚠ IN CASE OF CUSTOM PRODUCT EXECUTION, THE LUBRICANTS COULD BE DIFFERENT FROM THE STANDARD ABOVE. TO KNOW THE TYPE OF LUBRICANT PLEASE REFER TO THE PRODUCT CHECK SHEET SUPPLIED WITH THE PRODUCT.

9 MAINTENANCE

- The GEARBOX is long-life lubricated and will not require any further relubrication. Additional lubrication can be done only in case of verified lubricant leakage from the gearbox. In such a case, use the lubricant type indicated in Tab. 8.1 or an equivalent one. The quantity of lubricant to be added depends on the leaked volume.
- The ACME SCREW-NUT and the ANTI-ROTATION device require periodic lubrication. The lubrication interval is the linear stroke indicated in Table 9.1 – 9.2, or at the latest after 1 year of time. Please use lubricant indicated in Table 8.1 or equivalent.
- Every 2 months time interval: visual inspections of screw jack conditions, cleaning of dirty parts of the screw jack.
- In case of lubricant leakage from the gearbox, contact SERVOMECH.

SCREW JACK	Acme screw	Lubrication interval [km of stroke]	GEARBOX lubricant q.ty	ANTI-ROTATION Lubricant q.ty (for each 100mm of stroke)
MA 5	Tr 18×4	4	—	1 cm ³
	Tr 18×8 (P4)	8		
MA 10	Tr 22×5	5	—	1 cm ³
	Tr 22×10 (P5)	10		
MA 25	Tr 30×6	6	0.35 liter	1 cm ³
	Tr 30×12 (P6)	12		
MA 50	Tr 40×7	7	0.75 liter	1 cm ³
	Tr 40×14 (P7)	14		
MA 80	Tr 55×9	9	0.75 liter	2 × 1 cm ³
	Tr 55×18 (P8)	18		
MA 100	Tr 60×12	12	1.5 liter	2 × 1 cm ³
	Tr 60×24 (P12)	24		
MA 200	Tr 70×12	12	2.3 liter	2 × 2 cm ³
	Tr 70×24 (P12)	24		
MA 350	Tr 100×16	16	4 liter	2 × 3 cm ³
	Tr 100×32 (P16)	32		

Table 9.1 – Maintenance of MA screw jacks

SCREW JACK	Acme screw	Lubrication interval [km of stroke]	ANTI-ROTATION Lubricant q.ty (for each 100mm of stroke)
SJ 5	Tr 18×4	4	1 cm ³
	Tr 18×8 (P4)	8	
SJ 10	Tr 22×5	5	1 cm ³
	Tr 22×10 (P5)	10	
SJ 25	Tr 30×6	6	1 cm ³
	Tr 30×12 (P6)	12	
SJ 50	Tr 40×7	7	1 cm ³
	Tr 40×14 (P7)	14	
SJ 100	Tr 55×9	9	2 × 1 cm ³
	Tr 55×18 (P8)	18	
SJ 150	Tr 60×12	12	2 × 1 cm ³
	Tr 60×24 (P12)	24	
SJ 200	Tr 70×12	12	2 × 2 cm ³
	Tr 70×24 (P12)	24	
SJ 250	Tr 80×12	12	2 × 2 cm ³
	Tr 80×24 (P12)	24	
SJ 300	Tr 90×12	12	2 × 2 cm ³
	Tr 90×24 (P12)	24	
SJ 350	Tr 100×12	12	2 × 2 cm ³
	Tr 100×24 (P12)	24	
SJ 400	Tr 100×12	12	2 × 3 cm ³
	Tr 100×24 (P12)	24	
SJ 600	Tr 120×14	14	2 × 3 cm ³
	Tr 120×28 (P14)	28	
SJ 800	Tr 140×14	14	2 × 4 cm ³
	Tr 140×28 (P14)	28	
SJ 1000	Tr 160×16	16	2 × 4 cm ³
	Tr 160×32 (P16)	32	

Table 9.2 – Maintenance of SJ screw jacks

9.1 Travelling screw lubrication (Mod.A)

- ⚠ WARNING! THE PLANT MUST BE STOPPED BEFORE BEGINNING ANY MAINTENANCE OPERATION.
- To lubricate the acme screw, put the screw jack in EXTENDED POSITION (La – see Fig. 6.15).
- Use grease type indicated in Tab. 8.1 or equivalent.
- Apply a uniform grease coat on the working threaded area.
- At the end, move the acme screw over its entire stroke for 3 full cycles.
- If necessary, remove the excess of lubricant from the acme screw.

9.2 Travelling nut lubrication (Mod.B)

- ⚠ WARNING! THE PLANT MUST BE STOPPED BEFORE BEGINNING ANY MAINTENANCE OPERATION.
- Relube the acme screw using proper grease nipple positioned on the acme nut (see Fig. 2.1 or Fig. 2.2).
- Use grease type indicated in Tab. 8.1 or equivalent.
- Apply the grease in several partial quantities. Travel over the entire stroke between lubricating procedures.
- Apply grease until a uniform grease coat is spreaded on the working threaded area.
- At the end, move the acme nut over its entire stroke for 3 full cycles.
- If necessary, remove the excess of lubricant from the acme screw.

9.3 Anti-rotation device lubrication (Mod.A)

- ⚠ WARNING! THE PLANT MUST BE STOPPED BEFORE BEGINNING ANY MAINTENANCE OPERATION.
- Before to start lubrication, put the screw jack in RETRACTED POSITION (Lc – see Fig. 6.15).
- Use grease type indicated in Tab. 8.1 or equivalent.
- Relube the anti-rotation device using proper grease nipple, as shown in Fig. 9.3.
- Apply the grease quantity indicated in Tab. 9.1 or Tab. 9.2.
- ⚠ IF THERE ARE MORE THAN ONE GREASE NIPPLE, EQUALLY SPLIT THE TOTAL LUBRICANT QUANTITY (SEE TABLE) BETWEEN THE GREASE NIPPLES.
- ⚠ For bigger sizes screw jacks, please note that 2 anti-rotation key are placed on the screw jack.
- ⚠ WHEN LUBRICATING THE ANTI-ROTATION DEVICE, THE SCREW JACK MUST ALWAYS BE IN RETRACTED (LC) POSITION. DO NOT LUBRICATE THE ANTI-ROTATION DEVICE IN EXTENDED (LA) OR INTERMEDIATE POSITIONS!
- At the end of lubricating procedure, extend and retract the screw jack over its entire stroke for 3 full cycles.

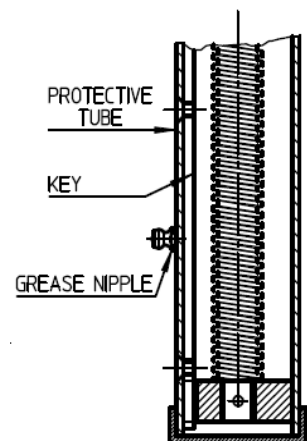


Figure 9.3 – Anti-rotation device lubrication

9.4 MA series gearbox lubrication

- ⚠ WARNING! THE PLANT MUST BE STOPPED BEFORE BEGINNING ANY MAINTENANCE OPERATION.
- ⚠ THE REFILL OR REPLACEMENT OF GEARBOX LUBRICANT CAN NOT BE DONE ON MA 5, MA 10 SCREW JACKS, AS THEY ARE GREASE LUBRICATED.
- ⚠ The GEARBOX is long-life lubricated. Refill or replace of lubricant can be done only in case of verified lubricant leakage from the gearbox.

9.4.1 Lubricant refill

- Remove the breather plug (comp. n. 7, Fig. 2.1).
- Add oil type indicated in Tab. 8.1 or equivalent, until the oil level is visible through the oil level plug (comp. n. 9, Fig. 2.1). The oil level should be approximately in the middle of the inspection plug.
- Replace the sealing washer on the breather plug with a new one and fix it.

9.4.2 Lubricant replacement

- Completely drain the oil inside the housing by removing the drain plug (comp. n. 8, Fig. 2.1).
- Replace the sealing washer on the drain plug with a new one and fix it on the proper hole.
- Remove the breather plug (comp. n. 7, Fig. 2.1) and add oil until the oil level is visible through the oil level plug (comp. n. 9, Fig. 2.1). The oil quantity to be added is roughly the quantity indicated in Tab. 9.1. The oil level should be approximately in the middle of the inspection plug.
- Then replace the sealing washer on the breather plug with a new one and fix it on the proper hole.

9.5 SJ series gearbox lubrication

- ⚠ WARNING! THE PLANT MUST BE STOPPED BEFORE BEGINNING ANY MAINTENANCE OPERATION.
- ⚠ The GEARBOX is long-life lubricated. Refill of lubricant can be done only in case of verified lubricant leakage from the gearbox.
- Relube the gearbox using proper grease nipple positioned on the housing (comp. n. 8, Fig. 2.2).
- Use grease type indicated in Tab. 8.1 or equivalent.
- The quantity of lubricant to be added depends on the leaked volume.