

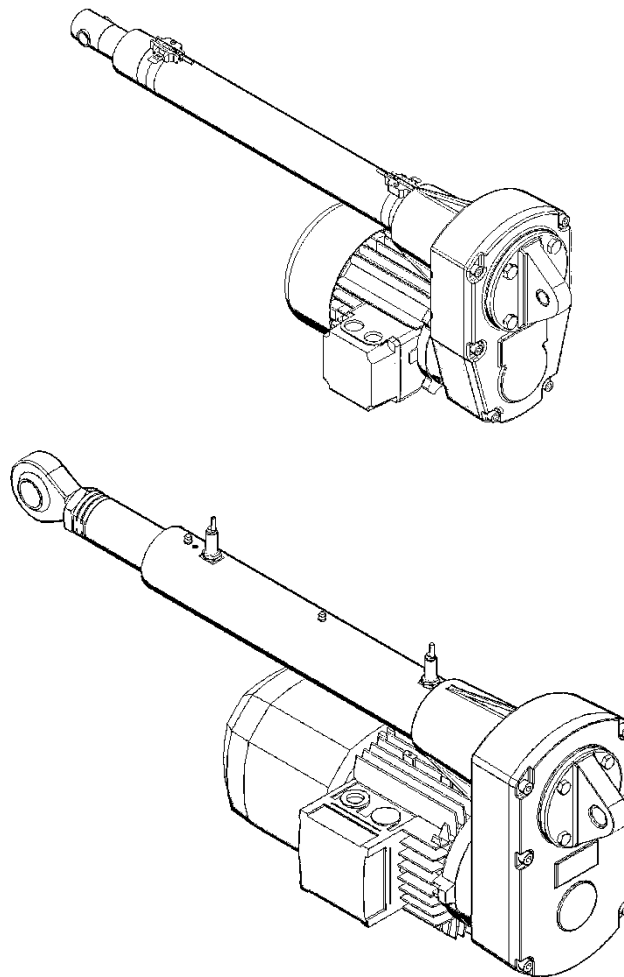


## LINEAR ACTUATORS

UAL 1 – UAL 2 – UAL 3 – UAL 4 – UAL 5

UBA 1 – UBA 2 – UBA 3 – UBA 4 – UBA 5

Installation, operation and maintenance manual



Publication: 04.01-02-03-04-05.E - Rev. 02 Data (M/Y) 12/19

Servomech S.p.A.

Via M. Calari, 1 - 40011 Anzola dell'Emilia (BO) - ITALY

Ph: + 39 051 6501711 Fax: + 39 051 734574

[www.servomech.com](http://www.servomech.com) [info@servomech.com](mailto:info@servomech.com)

Servomech S.p.A.

04.01-02-03-04-05.E - Rev. 02 DD (M/Y) 12/19

1



Read this manual before installing, operating or maintaining this actuator. Failure to follow safety precautions and instructions could cause actuator failure and result in serious injury, death or property damage.

This manual provides important information on how to work with the actuator safely and efficiently. The manual is part of the device, must always be kept in the device's direct proximity and should be available for personnel to read at any time. Failure to comply with the installation, use and maintenance instructions indicated in this manual will result in immediate termination of the warranty conditions of the actuator and completely relieve Servomech S.p.A. from any liability for damage caused to persons and / or property.

Servomech S.p.A. it does not assume direct or indirect responsibility for an improper use of the actuator, not respecting the performances of the actuator declared in the catalogs.

The manufacturer will not be liable for damage to the actuator or the equipment into which the actuator has been installed resulting from:

- disregarding this manual
- unintended use
- employment of untrained personnel
- unauthorized conversions
- technical modifications
- manipulation or removal of the screws on the device
- use of unapproved spare parts

The aforementioned conditions are therefore not contemplated and entail the immediate termination of the guarantee and the immediate decay of any responsibility on the part of Servomech S.p.A.

Servomech S.p.A. reserves the right to make changes to the actuators and this manual without giving any notice.

# LINEAR ACTUATORS UAL/UBA 1 - 2 - 3 - 4 - 5

## Installation, operation and maintenance manual

### Contents

1	MODELS COVERED BY THIS DOCUMENT .....	4
2	IDENTIFICATION OF THE MANUFACTURER AND THE PRODUCT .....	4
2.1	Identification of the manufacturer.....	4
2.2	Description of the product .....	4
2.3	Identification of the product .....	5
3	TRANSPORT AND HANDLING .....	6
4	USE RESTRICTION .....	7
4.1	Intended use.....	7
4.1.1	Use restrictions.....	7
4.1.2	Standard operating conditions.....	8
4.1.3	Thermal limit .....	8
4.2	Personnel requirements / Qualifications .....	8
5	STORAGE.....	8
6	INSTALLATION .....	9
6.1	Safety warnings .....	9
6.2	FCM magnetic stroke limit switches.....	10
6.3	FCP inductive proximity stroke limit switches.....	12
6.4	Rotary encoder EH53.....	13
6.5	Electric motor wiring .....	14
6.5.1	AC 3-phase asynchronous motor .....	14
6.5.2	AC 1-phase asynchronous motor with balanced winding .....	16
6.5.3	DC motor .....	17
6.6	Linear actuator installation .....	18
6.7	Installation of rod end fitting elements.....	19
7	COMMISSIONING AND USE .....	20
8	LUBRICATION.....	21
9	MAINTENANCE .....	22
9.1	Maintenance of UAL/UBA 1-2 actuators .....	22
9.2	Maintenance of UAL/UBA 3-4-5 actuators.....	22
9.2.1	Linear drive lubrication.....	23
9.2.2	Push rod guide lubrication .....	24

# 1 MODELS COVERED BY THIS DOCUMENT

The present manual is referred to following products:

Acme screw linear actuators: UAL 1 – UAL 2 – UAL 3 – UAL 4 – UAL 5

Ball screw linear actuators: UBA 1 – UBA 2 – UBA 3 – UBA 4 – UBA 5

## 2 IDENTIFICATION OF THE MANUFACTURER AND THE PRODUCT

### 2.1 Identification of the manufacturer

#### SERVOMECH S.p.A. S.U.

Via Monaldo Calari, 1

40011 Anzola dell'Emilia (BO)

ITALIA

Tel. +39 051 6501 711

Fax. +39 051 7345 74

Website: [www.servomech.com](http://www.servomech.com)

e-mail: [info@servomech.com](mailto:info@servomech.com)

### 2.2 Description of the product

For all the technical characteristics of the product (performance, features, dimensions) refer to the technical catalog.

Main actuator components:

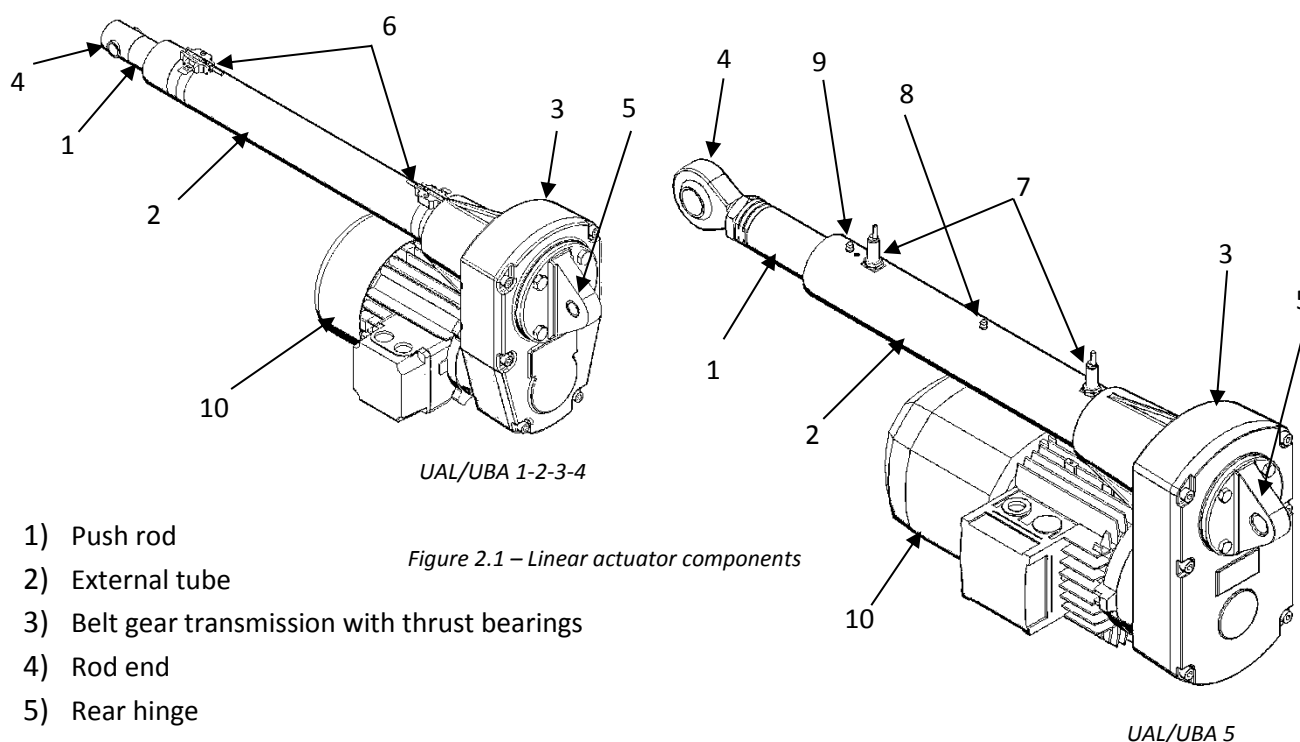


Figure 2.1 – Linear actuator components

- 1) Push rod
- 2) External tube
- 3) Belt gear transmission with thrust bearings
- 4) Rod end
- 5) Rear hinge
- 6) Magnetic stroke limit switches (only for UAL/UBA 1-2-3-4)
- 7) Proximity limit switches (only for UAL/UBA 5)
- 8) Linear drive grease nipple (only for UAL/UBA 3-4-5)
- 9) Push rod guide grease nipple (only for UAL/UBA 5)
- 10) Electric motor

## 2.3 Identification of the product

Every SERVOMECH linear actuator is provided with a nameplate, as shown below, which allows the product identification and gives technical information about the product.

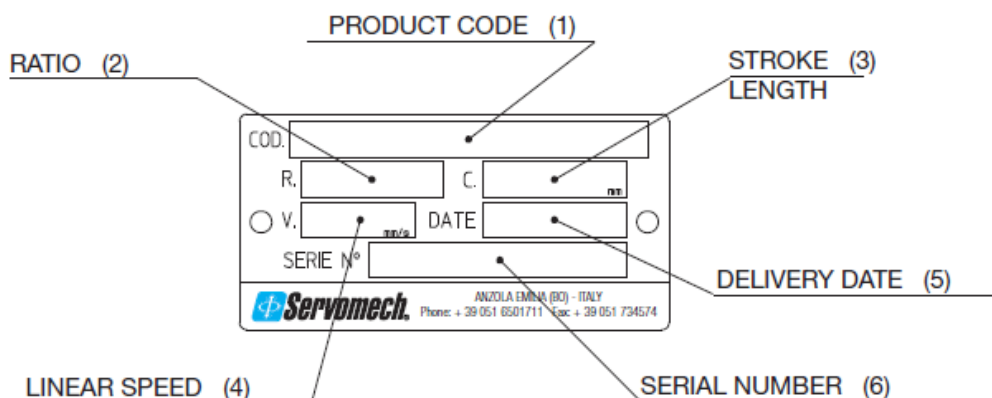


Figure 2.2 – Identification nameplate

- 1) **Product code**: is an alphanumeric code stating the type, size, ratio, version and stroke end switches of the linear actuator;
- 2) **Ratio**: is the ratio of the input drive;
- 3) **Stroke length**: is the stroke length in millimetres achievable by the actuator;
- 4) **Linear speed**: is the linear speed expressed in mm/s when the actuator is provided with electric motor; for an actuator without motor, this field is blank;
- 5) **Delivery date**: is the week/year of assembly (example: 30/13 = week 30 / year 2013) which usually coincides with the delivery date; this date is considered as reference for the warranty period;
- 6) **Serial number**: is the identification number of the actuator which identifies the exact design of the product even after a long time; the serial number is the essential reference for spare part orders.

### 3 TRASPORT AND HANDLING

- ⚠ It is recommended to pay attention and care during the handling and transport of linear actuators not to damage mechanical parts and / or accessories and to prevent risks for the personnel in charge of this activity.
- The packaging must be lifted and moved with care and in a safe way.
- For lifting and transporting the linear actuator, the push rod must be in retracted position.
- Lift the actuator from the housing and outer tube, supporting the motor during transport.
- DO NOT lift the actuator from the push rod and / or the motor.
- ⚠ In the case of BSA series actuators, the ball screw inside the actuator is NOT self-locking. Never lift the linear actuator upright from the push rod as the actuators could be back driven by its own weight.

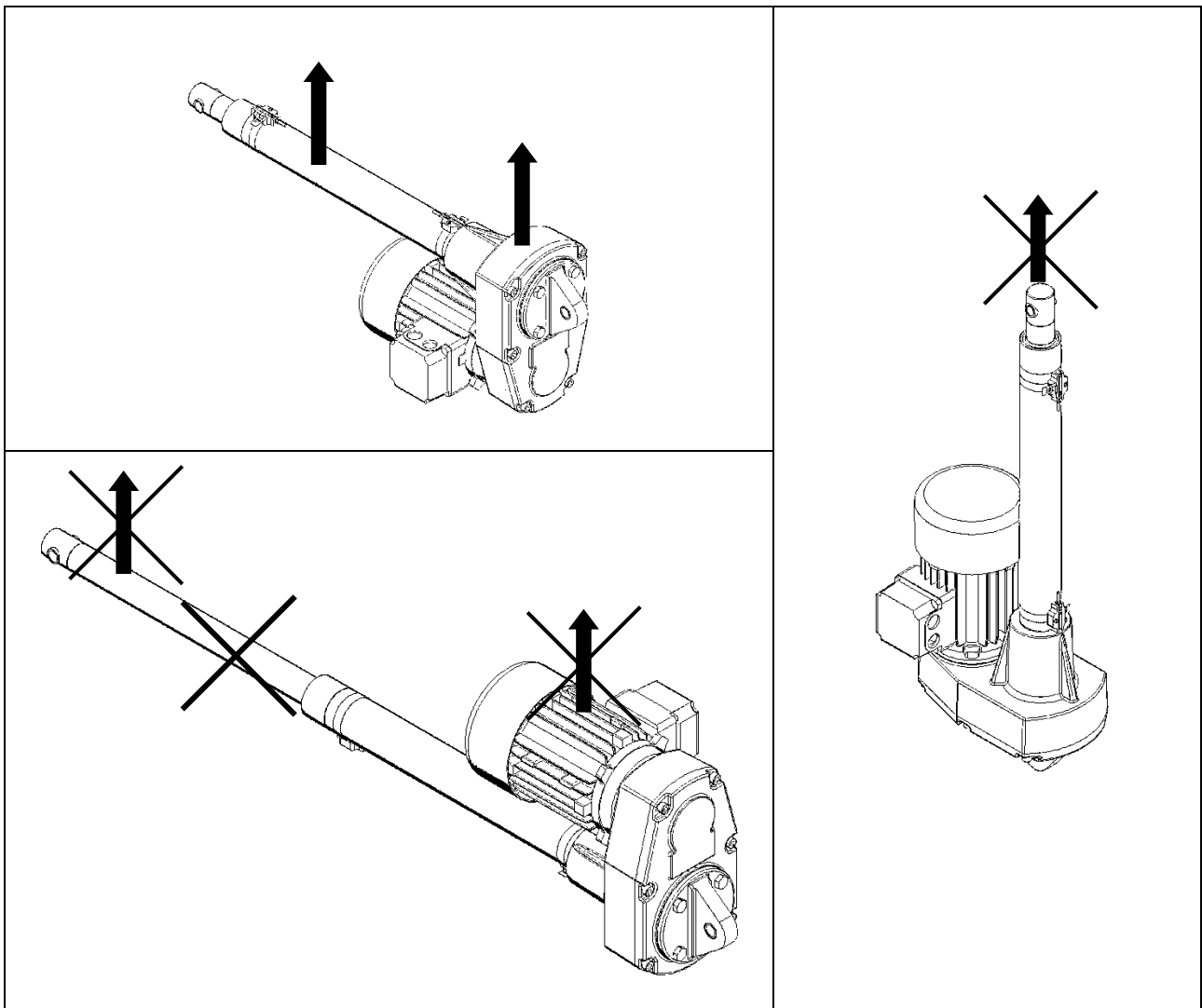


Figure 3.1 – Transport and handling

In case of doubt, consult SERVOMECH S.p.A. to get the appropriate information and prevent any kind of damage!

## 4 USE RESTRICTION

The information contained in this chapter provides important prescriptions for operating safely during all phases of the product's life.

Not knowing or not complying with these provisions can generate dangerous situations that could cause damage to equipment and risks for the safety of persons.

### 4.1 *Intended use*

Actuators are used to perform very different functions within machines. It is the responsibility of the machine builder to design the application in compliance with the laws in force in the specific sector and in the field of safety, in compliance with the requirements provided in the product catalog and in this manual.

- ⚠ ACTUATORS ARE ELECTRIC AXIS, WHATEVER DRIVER OR CONTROL WILL BE USED: THE SELECTION OF THE PRODUCT AS STROKE, SPEED, TYPE OF LIMIT SWITCHES, MOTOR AND BRAKE, MUST BE DONE ACCORDING TO THE BEHAVIOR EXPECTED, IN FUNCTION OF THE TYPE OF CONTROL CHOSEN AND THE STATIC AND DYNAMIC BEHAVIOR OF THE SYSTEM IN WHICH THE ACTUATOR IS PLACED!

The actuators have been designed and built to operate mobile parts of various types, shapes and construction, in the ways and within the limits set out in the descriptions and tables of the technical data in the catalog and in this user manual.

The actuators are designed to work with a purely axial applied load.

They must be subjected to the loading and speed conditions specified in the catalog.

Modification of parts of the actuator or replacement of components with different and non-original parts is not permitted. The replacement of components with original spare parts is carried out only by Servomech S.p.A.

Any different use is to be considered improper and therefore potentially dangerous for the safety of the operators, as well as such as to void the contractual guarantee.

In the event of particular processing requirements, we recommend consulting our sales department.

Every modification must be authorized by Servomech S.p.A. with written documents.

- ⚠ ANY OTHER USE OUTSIDE THAT THAT JUST DESCRIBED IS NOT PERMITTED BY SERVOMECH S.p.A.

#### 4.1.1 Use restrictions

Actuators can not be used for unforeseen applications.

Any utilization of this device beyond its intended purpose may lead to potentially hazardous situations.

Therefore:

- Strictly adhere to all safety precautions and instructions in this operating manual.
- Do not allow this device to be subjected to weather conditions, strong UV rays, corrosive or explosive air media as well as other aggressive media (\*).
- Do not modify, retool or change the structural design or individual components of the actuator.
- Never use the device outside of the technical application and operational limits.

(\*) – THE USE OF THE ACTUATORS IN ABOVE CONDITIONS MUST BE PREVIOUSLY DECLARED AND AGREED WITH SERVOMECH, SINCE A SPECIAL EQUIPMENT OF THE PRODUCT MUST BE PROVIDED.

### 4.1.2 Standard operating conditions

The actuator must be used in an environment whose conditions comply with the provisions of Servomech S.p.A. The works necessary for obtaining and maintaining that conditions are in charge of the owner and, where applicable, are in charge of the end user.

The actuator must be installed and used indoor only, in dry area with environmental conditions as specified below:

- Temperature range +0°C ÷ +40°C
- Relative atmospheric humidity 5% ÷ 85%
- No build up of condensation

⚠ THE USE OF THE ACTUATORS IN DIFFERENT CONDITIONS THAN JUST DESCRIBED MUST BE PREVIOUSLY DECLARED AND AGREED WITH SERVOMECH, SINCE A SPECIAL EQUIPMENT OF THE PRODUCT MUST BE PROVIDED.

### 4.1.3 Thermal limit

The actuator duty cycle permissible  $F_i$  [%] is the maximum working time expressed in percentage that the actuator can perform during the reference time period of 10 minutes, under rated load stated in the catalogue at ambient temperature 25°C, without risk of internal parts overheating.

$$F_i[\%] = \frac{\text{Max working time over 10 min}}{10 \text{ min}} \times 100$$

Linear drive	$F_i$ [%]
Acme screw (UAL series)	30
Ball screw (UBA series)	100

⚠ For the proper operation of acme screw linear actuators (UAL series) do never exceed the permissible duty cycle limit.

## 4.2 Personnel requirements / Qualifications

This manual must be made available to the personnel in charge of installation, start up and use of the actuator. It is the responsibility of the machine builder:

- use personnel with the necessary qualifications for the installation and commissioning of the actuator;
- periodically check the qualification of the assigned personnel;
- check that the personnel in charge are aware of the contents of this manual.

## 5 STORAGE

- Do not store outside.
- Storage should be dry and dust-free.
- Keep away from any aggressive media.
- Protect from UV radiation.
- Avoid mechanical vibrations.
- Storage temperature: 0 to +50 °C.
- Relative atmospheric humidity: max. 95% (no build up of condensation).
- To store longer than 6 months, take care of moving the actuator to prevent damages to sealings.
- Also check that all unpainted steel parts are adequately protected (oiled and /or greased) to prevent oxidation.



## 6 INSTALLATION

The operations described in the paragraphs of this chapter provide both electrical and mechanical connections of the actuator, as well as the execution of test motions at reduced speed and motor torque or with small displacement steps.

### 6.1 Safety warnings

- ⚠ MOTORS CANNOT BE CONNECTED DIRECTLY TO THE ELECTRICITY GRID. A PROPER CIRCUITS AND DEVICES FOR MOVEMENT MANAGEMENT ON BOTH DIRECTIONS IS REQUIRED. STROKE END LIMIT SWITCHES (MICROSWITCHES OR SENSORS) MUST BE CONTROLLED TO BE SURE THE LINEAR MOVEMENT OF THE ACTUATOR (DUE TO THE OPERATION OF THE MOTOR OR TO THE INERTIA OF THE MOVING PARTS) STOPS BEFORE TO REACH THE MECHANICAL STROKE END LIMITS. IN CASE THIS HAPPENS, THE ACTUATOR CAN BE LOCKED AND THE INTERNAL COMPONENTS CAN BE DAMAGED.
- ⚠ WHEN THE MOTORS MUST BE POWERED BY A CONVERTER (ELECTRIC DRIVE), THIS MUST BE CHOSEN BY QUALIFIED PERSONNEL.
- ⚠ IN CASE THERE ARE INVOLVED ELECTRONIC DRIVE AND CONTROL DEVICES ON THE ACTUATOR MOVING CONTROL, REFER TO MANUALS FOR ALL THE NECESSARY INFORMATION AND CORRECT INSTALLATION AND MAINTENANCE OF THE PRODUCT.
- ⚠ BEFORE TO PROCEED TO THE ELECTRIC CONNECTION, MAKE SURE THE SUPPLY VOLTAGE IS TURNED OFF.
- ⚠ BEFORE TO TURN-ON THE MOTOR, MAKE SURE THE ELECTRIC CONNECTIONS ARE TIGHTENED AND STABLE.
- ⚠ CHECK POWER SUPPLY CABLES NOT TO BE DAMAGED DURING THE COMMISSIONING. POWER SUPPLY CABLES MUST BE OUT OF HEAT SOURCES AND MOVING ORGANS.
- ⚠ DURING FUNCTIONING ARE PRODUCED MAGNETIC, ELECTRIC AND ELECTROMAGNETIC FIELDS. THIS MAY BE DANGEROUS FOR PEOPLE THAT USE CARDIAC STIMULATOR (PACEMAKER), IF NOT SUFFICIENT DISTANCE.
- ⚠ DO NOT DISCONNECT ANY CONNECTION DURING OPERATION OR IN PRESENCE OF SUPPLY VOLTAGE.
- ⚠ BEFORE TO TURN-ON THE MOTOR, MAKE SURE THE MECHANICAL CONNECTIONS OF THE ACTUATOR REMAIN TIGHTENED AND STABLE, ALSO DURING THE OPERATION.
- ⚠ DURING THE COMMISSIONING, UNEXPECTED MOVEMENT OF THE MOTOR MAY BE CAUSED BY:
  - WIRING ERRORS
  - MOUNTING ERRORS
  - DAMAGES ON POWER SUPPLY CABLES
  - HARDWARE OR SOFTWARE ERRORS
  - DRIVER PARAMETERS ERRORS
  - OPERATION IN CONDITIONS OUTSIDE THE SPECIFICATIONS PROVIDED BY THE CATALOG AND THIS MANUAL
- ⚠ MAKE SURE THE SAFETY PROTECTION OF THE MACHINE (MECHANICAL AND ELECTRICAL) ARE ACTIVE.

DURING OPERATION, TEMPERATURE OF THE EXTERNAL SURFACE OF MOTORS CAN REACH HIGH TEMPERATURES. HOT SURFACES ON ACTUATOR CAN CAUSE BURNS AND SHOULD NOT BE TOUCHED

## 6.2 FCM magnetic stroke limit switches

The magnetic stroke end switches FCM allow to limit the actuator stroke length avoiding to reach the extreme positions (mechanical stop) and preventing damage. Using more switches it is also possible to set intermediate positions along the actuator stroke length.

The stroke end switches must be fixed on the external tube and are activated by a toroidal magnetic field independently of their angular position.

- ⚠ The magnetic reed switches can work only if connected to a control circuit to activate electric relay.
- ⚠ Do not connect the reed switches in series between the power supply and the electric motor.
- Actuators equipped with magnetic stroke end switches perform a linear travel shorter than their stroke length code, because the reed switch FC 1 gives the stopping signal to the actuator before the actuator has travelled the total stroke length. To know the actual stroke please refer to the product catalogue or to the check sheet supplied with the actuator.
- When using more contact reeds for intermediate positions, it shall be considered that the same reed switch can give the signal in 2 different positions, depending on the actuator motion which can be retracting or extending.

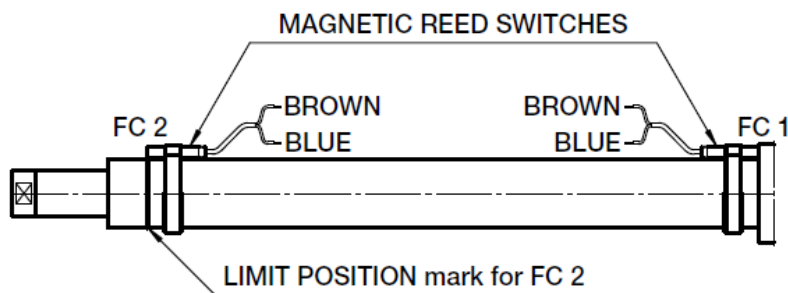


Figure 6.1 – FCM magnetic stroke limit switches

FCM magnetic limit switches are supplied already fixed on extreme stroke positions Lc and La (see Fig. 6.10):

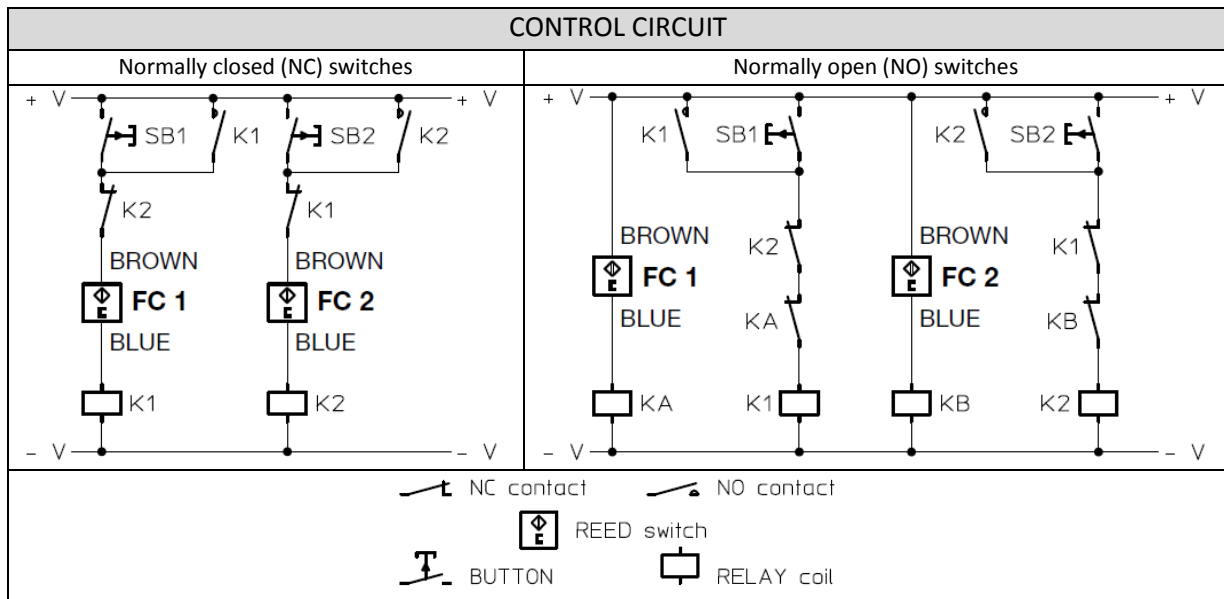
- RETRACTED ACTUATOR (Lc) position: FC 1 reed switch fixed on the tube up to the actuator housing.
- EXTENDED ACTUATOR (La) position: FC 2 reed switch fixed on the limit marked on the outer tube.

The position of the reed switches can be adjusted by changing the fixing clamp position on the tube:

- Release the screw on the fixing clamp (do not release the fixing screw of the reed sensor)
- Move the fixing clamp on the tube to the desired position (do not exceed the maximum range Lc ... La)
- Fix the screw of the clamp.

- ⚠ DO NOT SET THE FC 2 SWITCH POSITION OVER THE LIMIT MARK ON THE TUBE.
- ⚠ DO NOT TRAVEL OVER THE STROKE LIMIT SWITCHES POSITIONS, AVOIDING TO REACH MECHANICAL STOP AND PREVENTING DAMAGE TO THE INTERNAL COMPONENTS OF THE ACTUATOR.

The MAGNETIC LIMIT SWITCHES must be connected to the electric control circuit as shown in the following WIRING DIAGRAM:



REED SWITCHES – TECHNICAL FEATURES		
Contact	NC	NO
Switching output	Reed	
Supply voltage	5 ÷ 120 V AC/DC <sup>(1)</sup>	5 ÷ 230 V AC/DC <sup>(2)</sup>
Voltage drop	≤ 0.35 V	
Continuous current	≤ 100 mA (AC)	
Switching capacity	≤ 6 W	
Protection class	II	
Enclosure rating	IP 65	
Sensor housing material	Plastic	
Clamp material	Stainless steel, Zinc cast	
Outlet	Multicore PVC cable 2 × 0.12 mm <sup>2</sup> length 2 m	
Wiring		

<sup>(1)</sup> Main fuse F < 0.8A IEC60127-2 sheet 1

<sup>(2)</sup> Main fuse F < 0.5A IEC60127-2 sheet 1

### 6.3 FCP inductive proximity stroke limit switches

The INDUCTIVE PROXIMITY STROKE LIMIT SWITCHES allow the actuator to stop before reaching the internal mechanical stop avoiding damage. They can be also used to fix intermediate positions along the actuator stroke length. The inductive proximity stroke end switches are fixed directly on the actuator outer tube in the required position.

- The switches position is not adjustable.
- The positions of the two limit switches are the extreme travel positions Lc and La (see Fig. 6.10).
- FC 1 – sensor for RETRACTED ACTUATOR Lc position
- FC 2 – sensor for EXTENDED ACTUATOR La position

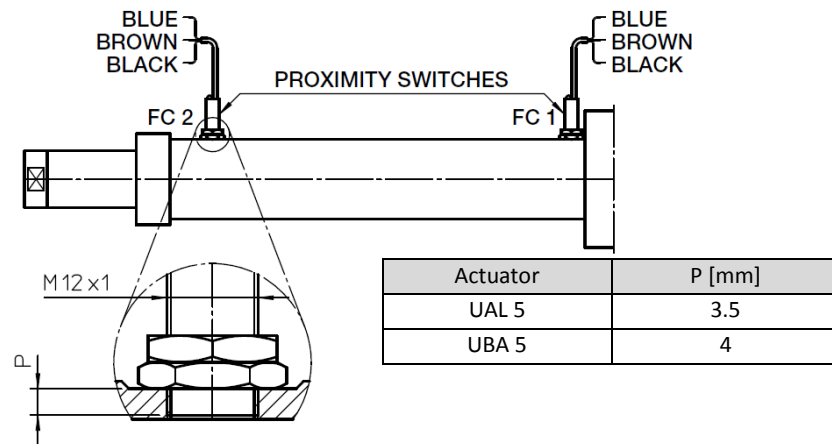
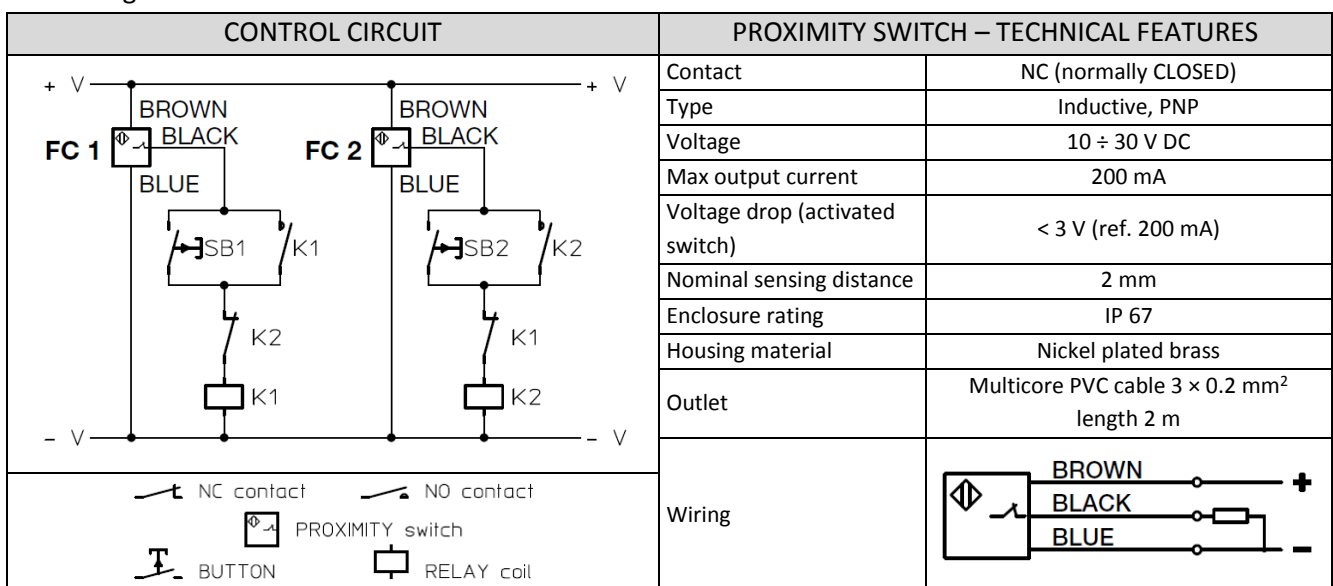


Figure 6.2 – FCP inductive proximity stroke limit switches

- Proximity switches are supplied already mounted on the actuator and set to the correct sensing distance.
- ⚠ DO NOT CHANGE THE SENSING DISTANCE OF PROXIMITY SWITCHES BY MOVING THE TWO NUTS FIXED ON THE SENSOR.
- In case it is necessary to restore the correct sensing distance position, please refer to Fig. 6.2.

The PROXIMITY STROKE LIMIT SWITCHES must be connected to the electric control circuit as shown in the following WIRING DIAGRAM:

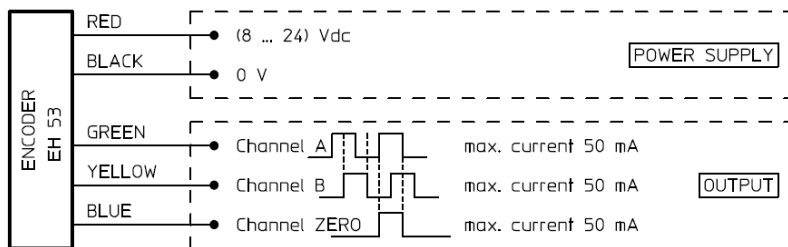


- ⚠ DO NOT TRAVEL OVER THE STROKE LIMIT SWITCHES POSITIONS, AVOIDING TO REACH MECHANICAL STOP AND PREVENTING DAMAGE TO THE INTERNAL COMPONENTS OF THE ACTUATOR.

## 6.4 Rotary encoder EH53

Encoder EH53– TECHNICAL FEATURES	
Transducer type	Optical encoder, incremental, bi-directional
Resolution	100 or 500 pulses per revolution
Output	PUSH-PULL 2 channels (A and B, phase difference 90°) channel ZERO
Input voltage	8 ÷ 24 V DC
No-load current	100 mA
Max commutable current	50 mA
Cable length	0.5 m
Enclosure rating	IP 54

The rotary encoder ENC.4 must be connected to the electric control circuit as shown in the following WIRING DIAGRAM:



## 6.5 Electric motor wiring

### 6.5.1 AC 3-phase asynchronous motor

Connect the motor to the power unit of the plant or to the driver according to the following wiring diagrams, related to the motor type:

- (a) AC 3-phase motor without brake
- (b) AC 3-phase motor with DC brake directly powered with rectifier
- (c) AC 3-phase motor with 3-phase brake directly powered
- (d) AC 3-phase motor with DC brake separately powered AC 1-phase with rectifier
- (e) AC 3-phase motor with AC 3-phase brake separately powered
- (f) AC 3-phase motor with DC brake separately powered AC 2-phase with rectifier
- (g) AC 3-phase motor with DC brake separately powered

In case of brake motor:

- the brake is NORMALLY CLOSED (NEGATIVE action). When the power supply is switched off, the brake is engaged. The brake opens only when power is supplied;
- if the brake is wired directly to the connecting pins of the terminal box, it does not require any power supply;
- if the brake is wired separately, make sure that the correct voltage is used;
- if the brake is equipped with hand release device, make sure that the brake is engaged before starting the linear actuator.

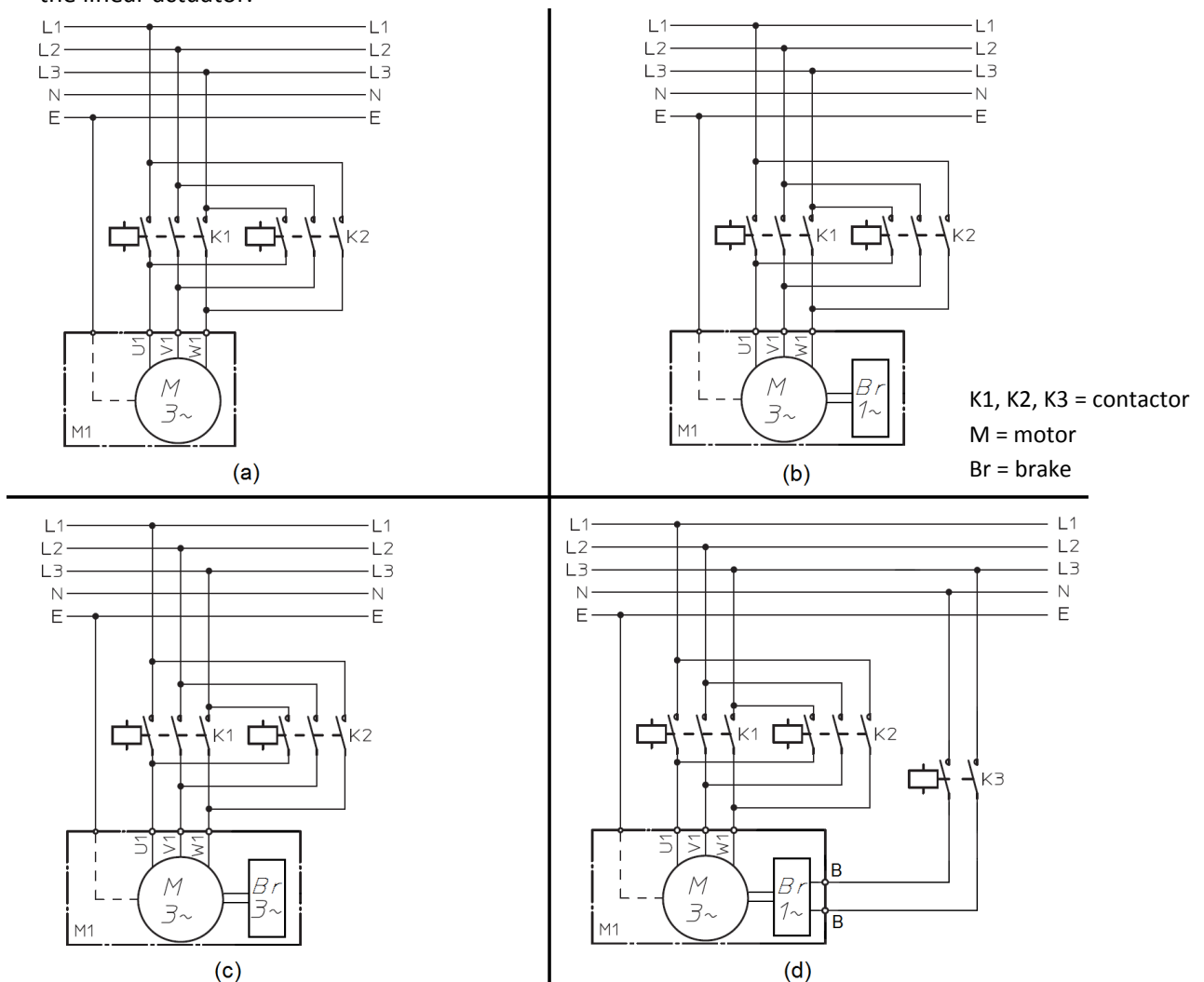


Figure 6.3 – Electric wiring diagrams to power supply of AC 3-ph motor

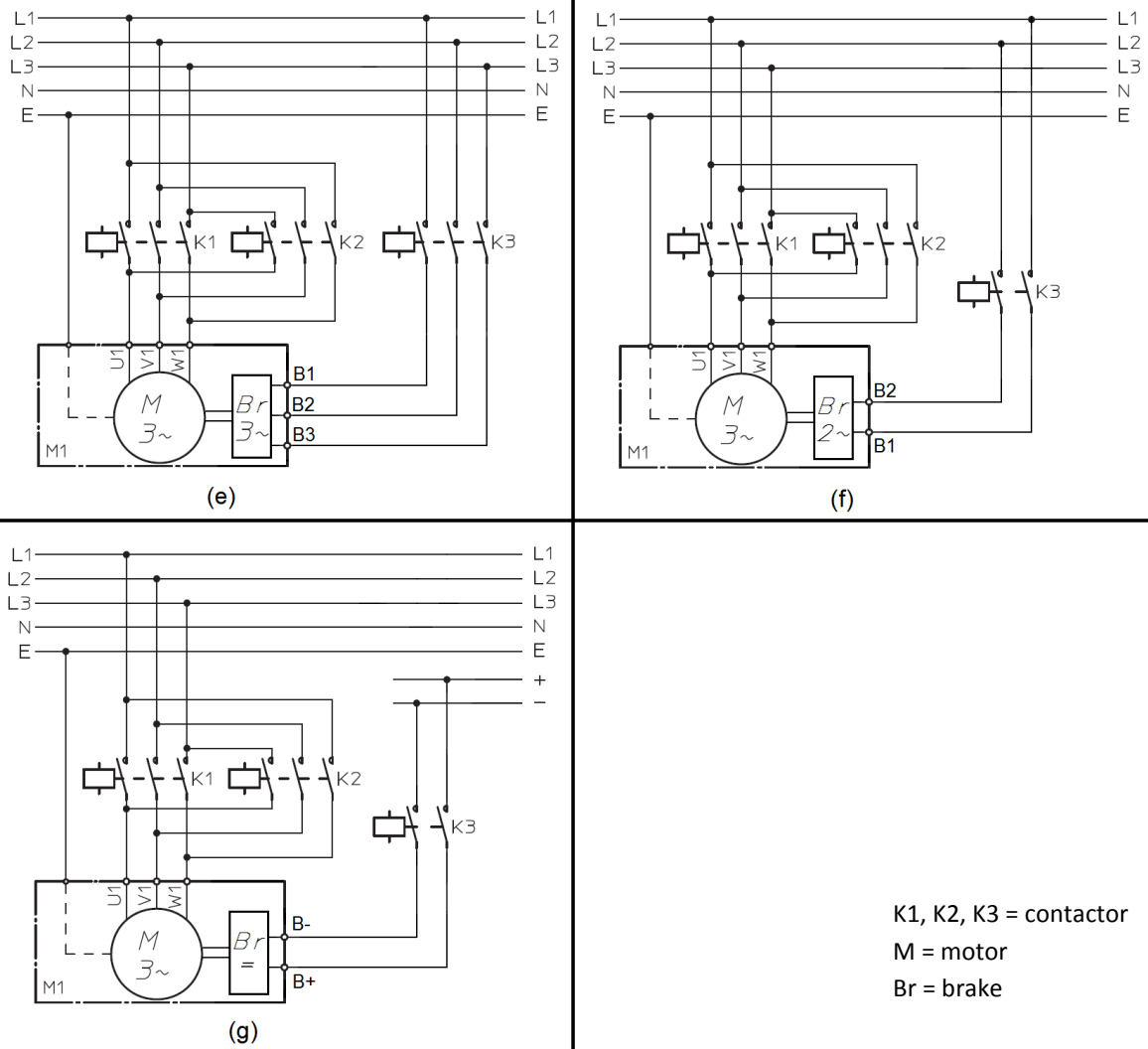


Figure 6.3 – Electric wiring diagrams to power supply of AC 3-ph motor

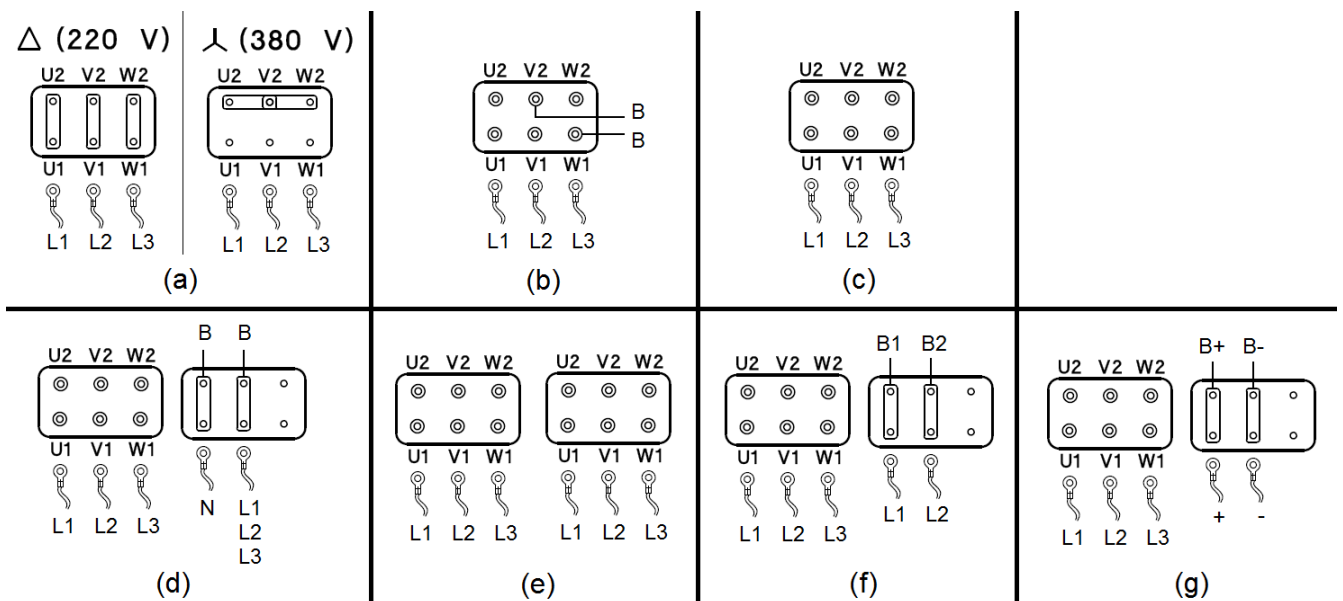


Figure 6.4 – Electric wiring diagrams to motor terminal board of AC 3-ph motor

⚠ IN CASE OF ELECTRIC MOTOR DIFFERENT FROM THE ABOVE MENTIONED, PLEASE REFER TO INSTALLATION INSTRUCTIONS SUPPLIED BY THE MANUFACTURER.

## 6.5.2 AC 1-phase asynchronous motor with balanced winding

Connect the motor to the power unit of the plant or to the driver according to the following wiring diagrams, related to the motor type:

- (a) AC 1-phase motor without brake
- (b) AC 1-phase motor with DC brake separately powered AC 1-phase with rectifier

In case of brake motor:

- the brake is NORMALLY CLOSED (NEGATIVE action). When the power supply is switched off, the brake is engaged. The brake opens only when power is supplied;
- the brake is wired separately, make sure that the correct voltage is used;
- if the brake is equipped with hand release device, make sure that the brake is engaged before starting the linear actuator.

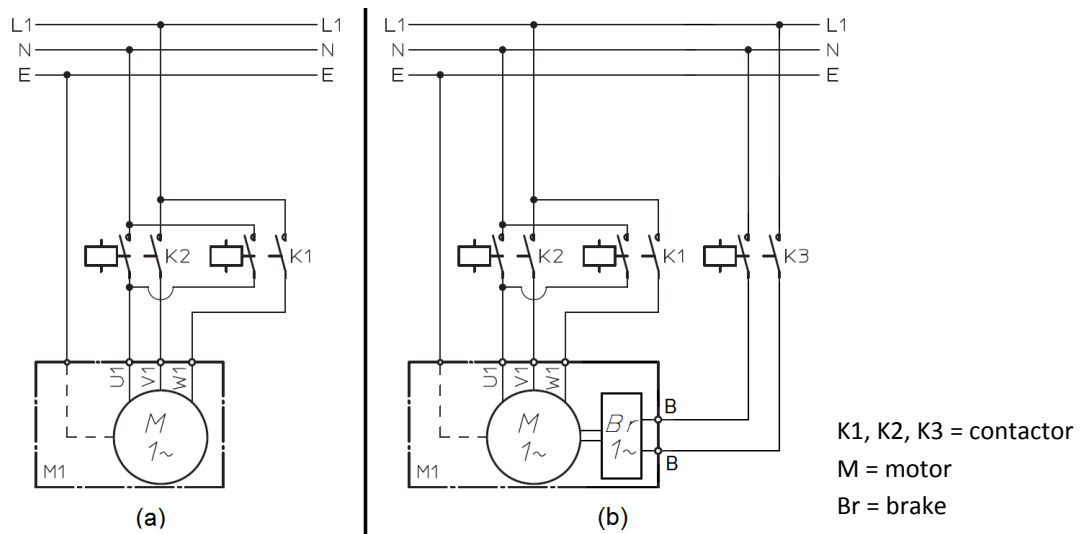


Figure 6.5 – Electric wiring diagrams to power supply of AC 1-ph motor

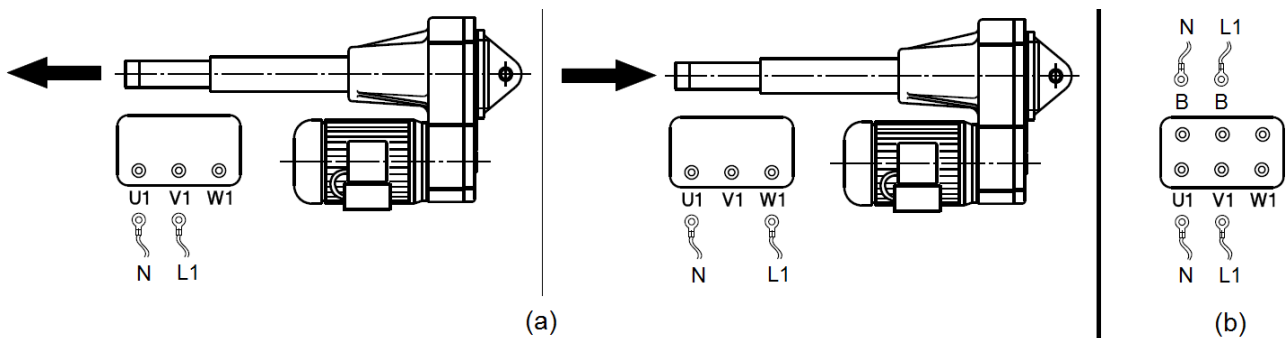


Figure 6.6 – Electric wiring diagrams to motor terminal board of AC 1-ph motor

⚠ IN CASE OF ELECTRIC MOTOR DIFFERENT FROM THE ABOVE MENTIONED, PLEASE REFER TO INSTALLATION INSTRUCTIONS SUPPLIED BY THE MANUFACTURER.



### 6.5.3 DC motor

Connect the motor to the power unit of the plant or to the driver according to the following wiring diagrams, related to the motor type:

- (a) DC motor without brake
- (b) DC motor with DC brake separately powered

In case of brake motor:

- the brake is NORMALLY CLOSED (NEGATIVE action). When the power supply is switched off, the brake is engaged. The brake opens only when power is supplied;
- the brake is wired separately, make sure that the correct voltage is used;
- if the brake is equipped with hand release device, make sure that the brake is engaged before starting the linear actuator.

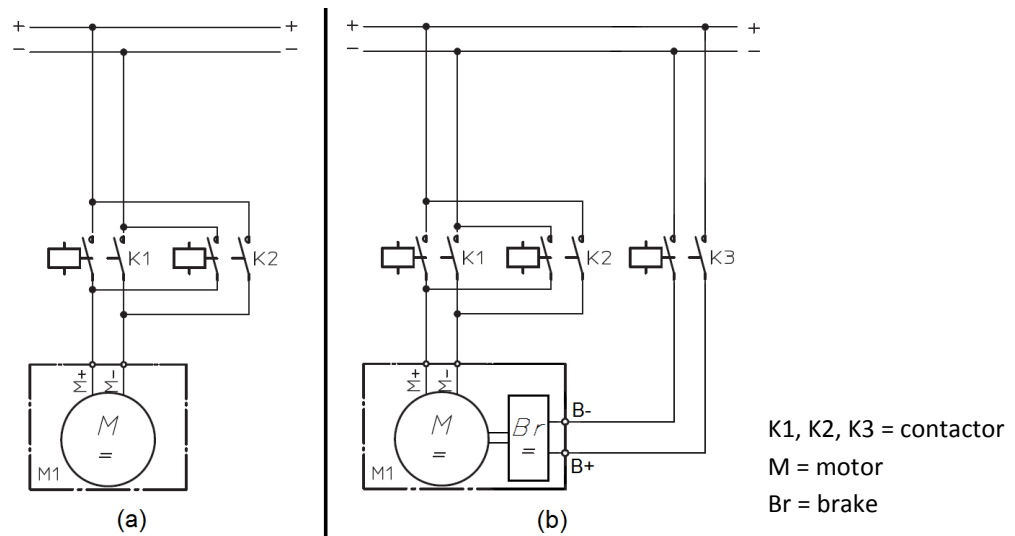


Figure 6.7 – Electric wiring diagrams to power supply of DC motor

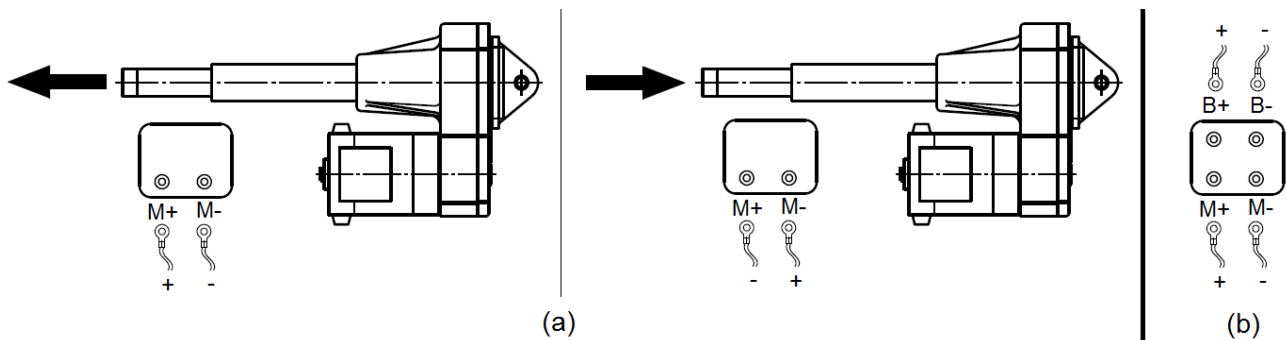


Figure 6.8 – Electric wiring diagrams to motor terminal board of DC motor

⚠ IN CASE OF ELECTRIC MOTOR DIFFERENT FROM THE ABOVE MENTIONED, PLEASE REFER TO INSTALLATION INSTRUCTIONS SUPPLIED BY THE MANUFACTURER.

Check if the push rod shifting direction is compatible to the indications on the control unit, by powering the electric motor on VERY BRIEFLY.

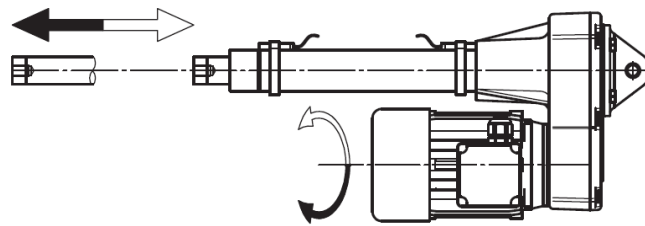


Figure 6.9 – Push rod shifting directions

If the push rod shifting directions are not compatible:

- A) ACTUATOR WITH THREE-PHASE MOTOR: invert any wire pair (U1 ↔ V1, or U1 ↔ W1, or V1 ↔ W1) into the terminal board;
- B) ACTUATOR WITH SINGLE-PHASE MOTOR: change the contact (V1 ↔ W1);
- C) ACTUATOR WITH DIRECT CURRENT MOTOR: invert contacts of the two motor supply cables.

## 6.6 Linear actuator installation

- ⚠ THE BALL SCREW LINEAR ACTUATOR (**UBA** SERIES) IS NOT SELF-LOCKING. BEFORE TO APPLY ANY AXIAL LOAD ON THE PUSH ROD, LOCK THE INPUT SHAFT OR USE THE MOTOR BRAKE.
- ⚠ ALL MECHANICAL AND ELECTRICAL PROTECTION MUST BE INSTALLED AND ACTIVATED TO PREVENT DAMAGE TO PERSONS OR PROPERTY.

- Check that all plant fixing elements are well machined and cleaned, and that they fit the dimensions of the actuators fixing elements they have to be fixed to.
- If the length of the actuator have to be changed (push rod more retracted or extended) during installation, power the motor with limited speed and torque values, in order to avoid possible damages in case of a mechanical stop is reached.
- In case of actuators without anti-rotation device (AR), it is possible to manually screw/unscrew the push rod to change the length of the actuator.
- In case of actuators with bellow protection (B): DO NOT TWIST THE BELLOW.
- ⚠ DO NOT SET THE LENGTH OF THE ACTUATOR OVER ITS EXTREME VALUES:

- “Lc” = RETRACTED ACTUATOR
- “La” = EXTENDED ACTUATOR

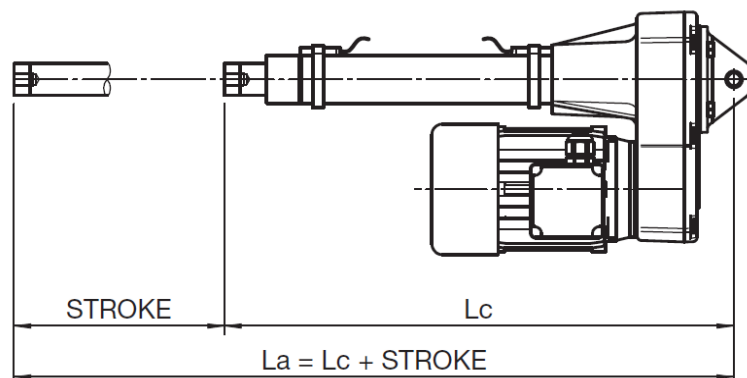


Figure 6.10 – “Lc” and “La” dimensions

Dimensions “Lc” and “La” are indicated in the technical catalogue of the product and on the check sheet supplied with the actuator.

- Fit the actuator to the plant in order to have ONLY axial load applied to the actuator.
- Check the correct alignment between front and rear pins: they must be PARALLEL.
- Check the correct alignment between the actuator and the moving parts.

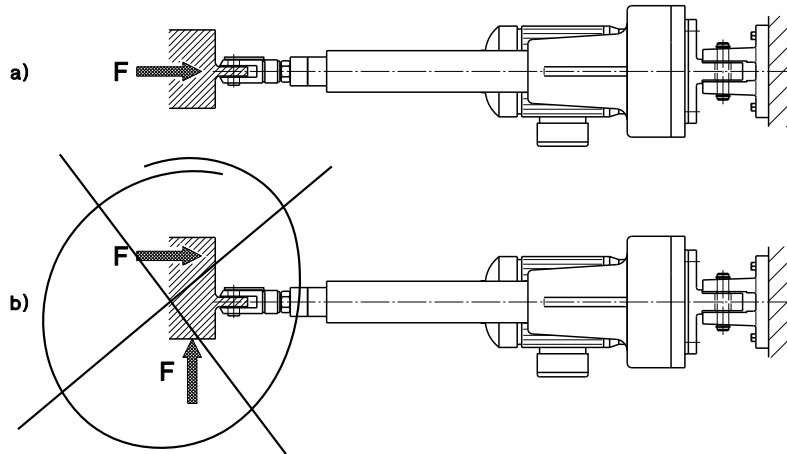
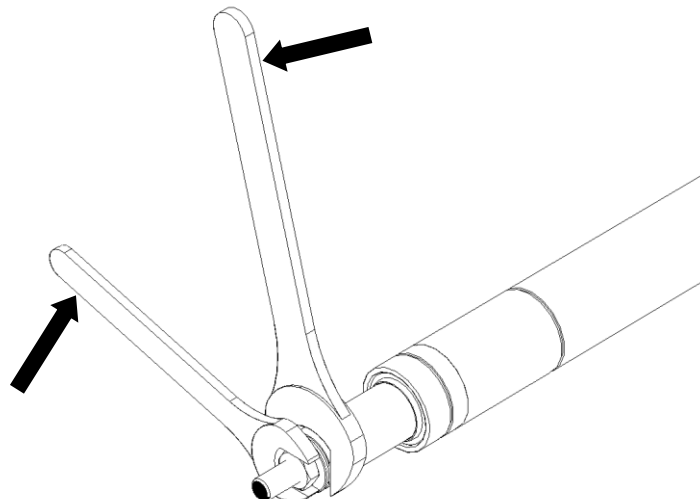


Figure 6.11 – Load on actuator: a) correct; b) not correct

⚠ RIGHT WORKING OF THE ACTUATOR AND PLANT CANNOT BE GUARANTEED IF SIDE OR NOT AXIAL LOAD ARE APPLIED TO THE ACTUATOR.

### 6.7 Installation of rod end fitting elements

- To install a mounting element on the rod end threaded bore (BA), use a wrench flat on the rod end to counterhold the locking torque.
- ⚠ In case of actuator equipped with AR (anti-rotation) device: DO NOT TRANSFER ANY TORQUE TO THE PISTON ROD.
- ⚠ WARNING: in case of torque transfer into the actuator with AR device, the internal mechanical components can be damaged.
- Fix the threaded element with Loctite 270.
- To unmount the element, heat the threaded area to unlock it.
- Unscrew the fitting element counterholding the torque with a wrench flat on the rod end.



## 7 COMMISSIONING AND USE

SERVOMECH linear actuators are supplied lubricated and ready to be used. Before to start commissioning and activation, the following checks must be carried out:

### Shifting direction check

- Check if the push rod shifting direction is compatible to the indications on the control unit, by powering the electric motor on VERY BRIEFLY. If not, see Section 6.5.
- ⚠ For actuator without ANTI-ROTATION device (AR): TO ALLOW THE TRANSLATION OF THE ROD END, THE PUSH ROD ROTATION MUST BE REACTED BY USING EXTERNAL GUIDES.

### Check of extreme working positions

- Check if the extreme dimensions of the actuator “Lc” and “La” (see Fig. 6.10) are compatible with extreme positions of the plant component that has to be moved.
- Measure the initial length of the actuator, then run the actuator GRADUALLY from the control unit, in order to reach the plant to its more distant extreme position.
- Check continuously the current actuator length during the motion.
- Repeat the same procedure for the other extreme position.

⚠ TO AVOID DAMAGES, DO NOT TRAVEL OVER THE EXTREME STROKE VALUES Lc and La!

⚠ DO NOT REACH STROKE END MECHANICAL STOP!

### Commissioning

At this stage it is possible to start commissioning:

- Carry out one complete working cycle, without load, adjusting the previously set limit switch positions if necessary (see Sections 6.2).
  - Carry out some complete working cycles, increasing gradually the load, until full load is reached.
- ⚠ ONLY IN CASE ON **UAL ACTUATOR** (ACME SCREW DRIVE): DURING COMMISSIONING, DO NEVER EXCEED THE MAX ALLOWED DUTY CYCLE FOR THE LINEAR ACTUATOR: **30% OVER 10 MIN** TIME PERIOD AT 25°C ENVIRONMENT. ANY ABUSE OF SUCH DUTY CYCLE CAN CAUSE OVERHEATING AND UNINTENTIONAL PREMATURE DAMAGING!

## 8 LUBRICATION

SERVOMECH linear actuators ATL/BSA series are supplied lubricated, with lubricants indicated in the table below:

ACTUATOR	BEARINGS	LINEAR DRIVE	PUSH ROD GUIDE
UAL 1	<b>Grease (NLGI 2 DIN 51818): SHELL Gadus S2 V100 2</b>	<b>Grease (NLGI 2 DIN 51818): ENI Grease SM 2</b> Also suitable: SHELL Gadus S2 V220D 2 (NLGI 2) MOBIL Mobilgrease XHP 222 Special (NLGI 2) FUCHS Renolit FLM 2 (NLGI 2)	(*)
UAL 2			
UAL 3			
UAL 4			
UAL 5			Same as linear drive
UBA 1	<b>Grease (NLGI 2 DIN 51818): SHELL Gadus S2 V100 2</b>	<b>Grease (NLGI 1 DIN 51818): LUBCON Thermoplex ALN 1001</b> Also suitable: FUCHS Renolit DURAPLEX EP 2 (NLGI 2) AGIP Grease AC 1 (NLGI 1) MOBIL Mobilgrease FM 101 (NLGI 1) KLUBER Klubersynth UH1 14-151 (NLGI 1)	(*)
UBA 2			
UBA 3			
UBA 4			
UBA 5			Same as linear drive

*Table 8.1 – Lubricants*

(\*) – Push rod guide bush in self-lubricating material (no lubrication required).

- ⚠ DO NOT USE LUBRICANTS DIFFERENT FROM THOSE ABOVE MENTIONED.
- ⚠ DO NOT MIX INCOMPATIBLE GREASES.
- ⚠ IF DIFFERENT LUBRICANT SHOULD BE USED, PLEASE CONTACT SERVOMECH BEFORE PROCEED.
- ⚠ IN CASE OF CUSTOM PRODUCT EXECUTION, THE LUBRICANTS COULD BE DIFFERENT FROM THE STANDARD ABOVE. TO KNOW THE TYPE OF LUBRICANT PLEASE REFER TO THE PRODUCT CHECK SHEET SUPPLIED WITH THE PRODUCT.

## 9 MAINTENANCE

### ***9.1 Maintenance of UAL/UBA 1-2 actuators***

- UAL/UBA 1-2 actuators are long-life lubricated and do not require any further relubrication.
- Every 2 months time interval: visual inspections of actuator conditions, cleaning of dirty parts of the actuator.
- In case of lubricant leakage, contact SERVOMECH.

### ***9.2 Maintenance of UAL/UBA 3-4-5 actuators***

- Thrust bearings are long-life lubricated and will not require any further relubrication.
- The linear drive and push rod guide require periodic relubrication, according to Table 9.1, or at the latest after 1 year of time. Please use lubricant indicated in Table 8.1 or equivalent.
- Every 2 months time interval: visual inspections of actuator conditions, cleaning of dirty parts of the actuator.
- In case of lubricant leakage, contact SERVOMECH.

ACTUATOR	Lead pitch [mm]	Lubrication interval [km di corsa]	Linear drive – q.ty of lubricant		Push rod guide – q.ty of lubricant
			Q.ty for actuator stroke 100mm	Q.ty for each additional 100mm of stroke	
UAL 3	4	4	3 cm <sup>3</sup>	2 cm <sup>3</sup>	—
	8	8			
UAL 4	5	5	4 cm <sup>3</sup>	2 cm <sup>3</sup>	—
	10	10			
UAL 5	6	6	5 cm <sup>3</sup>	3 cm <sup>3</sup>	2 cm <sup>3</sup>
	12	12			
UBA 3	5	50	2 cm <sup>3</sup>	2 cm <sup>3</sup>	—
	10	100			
UBA 4	6	60	3 cm <sup>3</sup>	2 cm <sup>3</sup>	—
	10	100			
UBA 5	10	100	5 cm <sup>3</sup>	3 cm <sup>3</sup>	2 cm <sup>3</sup>
	20	200	4 cm <sup>3</sup>	2 cm <sup>3</sup>	

*Table 9.1 – Maintenance of UAL/UBA 3-4-5*

## 9.2.1 Linear drive lubrication

- ⚠ WARNING! THE PLANT MUST BE STOPPED BEFORE BEGINNING ANY MAINTENANCE OPERATION.
- Before to start relubrication, put the actuator in extended position (La – see Fig. 6.10)
- Relube the linear actuator using proper grease nipples, as shown on Fig. 9.2.
- Grease nipple type: DIN71412 M6

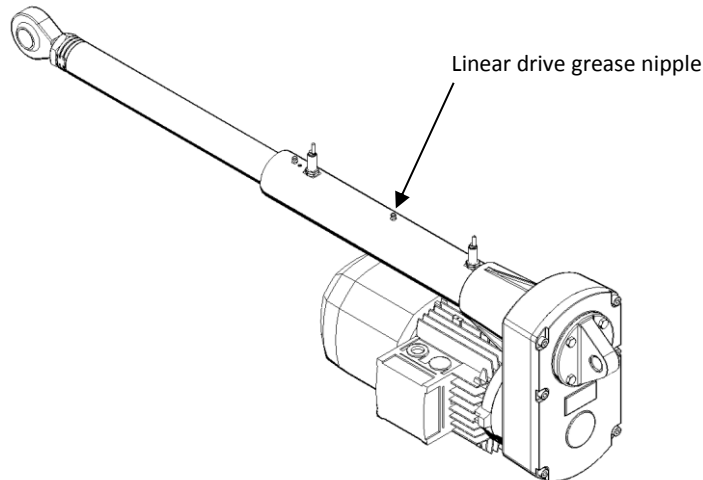
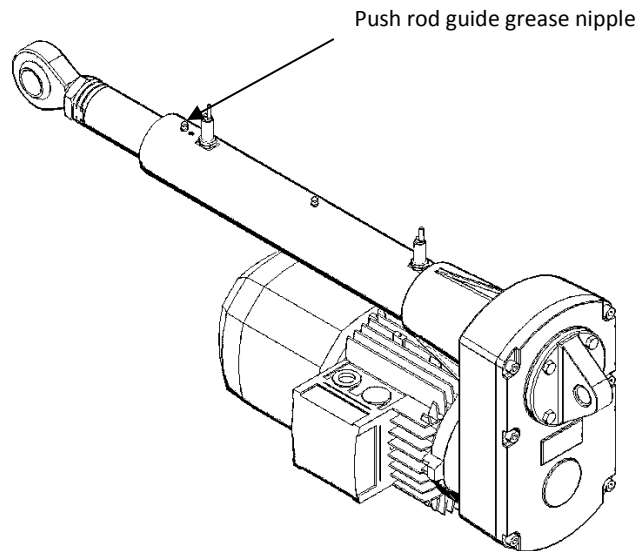


Figure 9.2 – Linear drive relubrication for UAL/UBA 3-4-5

- Apply the grease quantity indicated in Tab 9.1 with several partial quantities.
- Travel over the entire stroke between one lubricating operation and the next.
- ⚠ When lubricating the linear drive, the actuator must always be in EXTENDED (La) POSITION. Do not lubricate the linear screw drive in retracted (Lc) or intermediate positions!
- ⚠ In case of stroke length  $\geq 500$  mm, 2 grease nipples for the linear drive lubrication are placed on actuator. Equally split the total lubricant quantity (see table 9.1) between the 2 grease nipples.
- ⚠ ONLY FOR UAL/UBA 5 ACTUATORS: do not confuse the linear drive grease nipple with the push rod guide grease nipple (see Section 9.2.2).
- At the end of lubricating procedure, extend and retract the push rod over its entire stroke for 3 full cycles.
- If necessary, remove excess of lubricant from push rod.

## 9.2.2 Push rod guide lubrication

- ⚠ WARNING! THE PLANT MUST BE STOPPED BEFORE BEGINNING ANY MAINTENANCE OPERATION.
- ⚠ PUSH ROD GUIDE RELUBRICATION IS REQUIRED ONLY FOR UAL/UBA 5 ACTUATORS.
- Relube the push rod guide using proper grease nipples, as shown on Fig. 9.3.
- Grease nipple type: DIN71412 M6



*Figure 9.3 – Lubrication of push rod guide for UAL/UBA 5*

- Apply the grease quantity indicated in Tab 9.1.
- Extend and retract the push rod over its entire stroke for 3 full cycles.
- If necessary, remove excess of lubricant from push rod.