

Screw jacks MA Series - coding description

Screw jacks MA Series with travelling nut (Mod.B)

MA	50	Mod.B	RL1	Vers. 3 (80 B5)	U-RH	C300
1	2	3	4	5	6	7
N	B2	MB+SBC	B1	CB	/	CA
8						
...						
9						
...						
10						
AC 3-phase brake motor 0.75 kW 4 poles 230/400 V 50 Hz IP 55 Isol. F						
11						

1 MA (screw jack MA Series)

2 Screw jack size

5 ... 350

page 20 - 21, 24 - 25, 28, 31

3 Mod.B (Model: travelling nut)

4 Ratio and number of acme screw starts

page 20 - 21, 24 - 25, 28, 31

5 Input versions

Vers.1, Vers.2, Vers.3, Vers.4, Vers.5, Vers.6

page 7

6 Screw jack mounting and input shaft position

U-RH, U-LH, D-RH, D-LH, H-RH, H-LH

page 7

7 Screw jack stroke length (ex.: C300 = 300 mm stroke)

8 Options

N Screw end

page 34 - 35

B₁, B₂ Bellows

page 41

MB Working nut

page 34 - 35

SBC Safety nut

page 42

RMG Adjustable backlash

page 46

CB, CA Low cover, raised cover

page 37

9 Other options

example: encoder (with all relevant data)

10 Further specifications

example: stainless steel acme screw AISI 303

example: low temperature lubricant

11 Motor specifications

12 Coding form

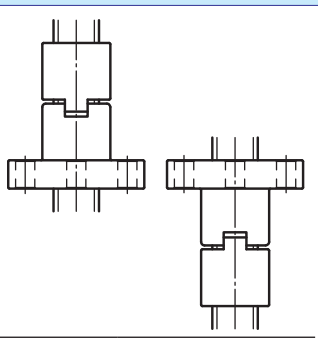
page 51

13 Application sketch

Screw jacks MA Series - coding description

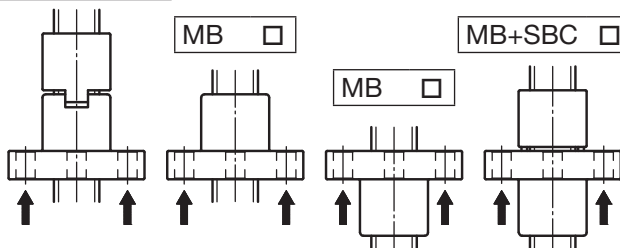
Screw jacks MA Series with travelling nut (Mod.B)

UPWARD mounting



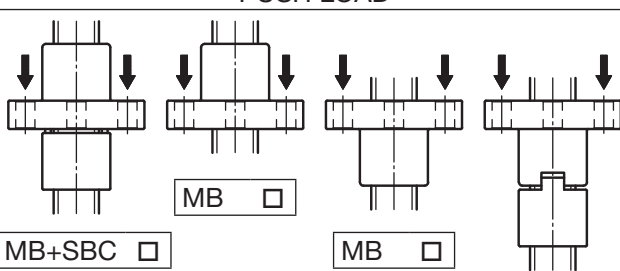
RMG

MB+SBC **MB** **MB+SBC**



PULL LOAD

PUSH LOAD



MB+SBC **MB** **MB+SBC**

N **B2**

B1 **CA** **CB**

Version _____

CB **CA**

UPWARD mounting

DOWNWARD mounting

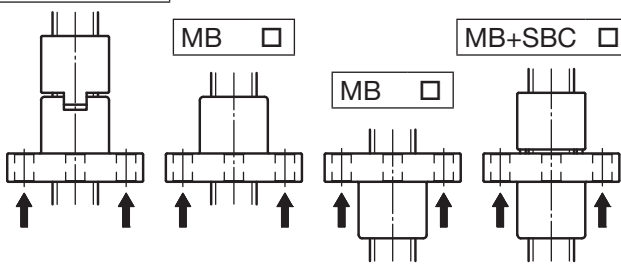
CA CB

Version _____

CB CA B1

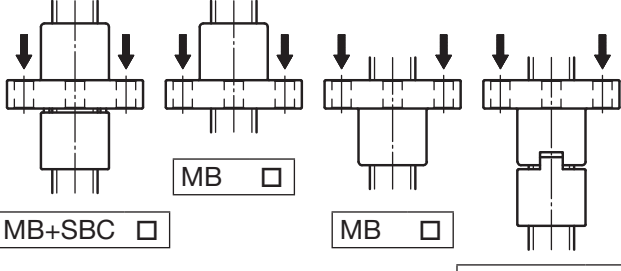
B2 N

MB+SBC **MB** **MB+SBC**



PUSH LOAD

PULL LOAD



MB+SBC **MB** **MB+SBC**

RMG

DOWNWARD mounting