

# Linear actuators ILA Series

## 6.5 ORDERING CODE

ILA	25	A	Tr 30x6	C400	TS	SP	FC	
1	2	3	4	5	6	7	8.A	
gearbox ...								
9								
AC 3-phase motor 1.5 kW 4-pole 230/400 V 50 Hz IP 55 Ins. F								
10								

1	Actuator series ILA	
2	Actuator size 15, 25, 50, 100, 150, 200	pages 186 ... 189
3	Type of linear drive screw A - acme screw B - ball screw	pages 186 ... 189
4	Linear drive screw	pages 186 ... 189
5	Stroke code	
6	Front attachment TS - ball joint TF - hinged head	pages 190 ... 193
7	Rear attachment (without code) - pins SP - rear brackets	pages 190 ... 193
8	Stroke end switches FCP - inductive proximity switches	page 194
9	Input drive gearbox data	
10	Motor data	
11	Other specifications example: push rod in stainless steel AISI 304 example: lubricant for low temperature	
12	Filled in SELECTION DATA sheet	page 197
13	Application layout	



APPLICATION: \_\_\_\_\_

REQUIRED STROKE: \_\_\_\_\_ mm

REQUIRED LINEAR SPEED: \_\_\_\_\_ mm/s    \_\_\_\_\_ mm/min    \_\_\_\_\_ m/min    TIME TO PERFORM 1 STROKE: \_\_\_\_\_ s

**STATIC LOAD:**            PULL: \_\_\_\_\_ N            PUSH: \_\_\_\_\_ N            at STROKE \_\_\_\_\_ mm

**DYNAMIC LOAD:**        PULL: \_\_\_\_\_ N            PUSH: \_\_\_\_\_ N            at STROKE \_\_\_\_\_ mm

ACTUATOR     SUBJECTED TO VIBRATIONS     NOT SUBJECTED TO VIBRATIONS

OPERATING:            \_\_\_\_\_ cycle / hour    \_\_\_\_\_ working hours / day            Notes: \_\_\_\_\_

REQUIRED LIFETIME: \_\_\_\_\_ cycle    \_\_\_\_\_ hours    \_\_\_\_\_ calendar days            Notes: \_\_\_\_\_

ENVIRONMENT:    TEMPERATURE \_\_\_\_\_ °C     DUST    HUMIDITY \_\_\_\_\_ %    AGGRESSIVE AGENT \_\_\_\_\_

Acme screw actuators **ILA . A Series**             Ball screw actuators **ILA . B Series**

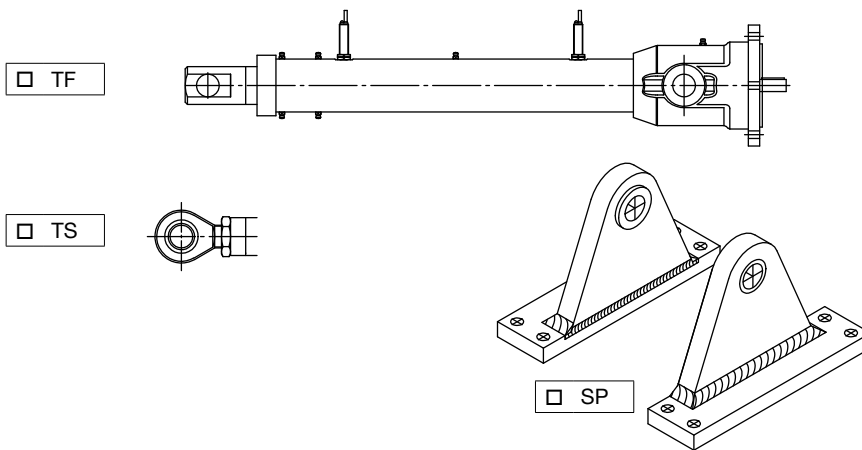
Size:                     15     25     50     100     150     200

1-start acme screw

ball screw with STANDARD lead

2-start acme screw

ball screw with LONG lead



INPUT DRIVE \_\_\_\_\_

ELECTRIC MOTOR \_\_\_\_\_

ANTI-TURN DEVICE AR

SAFETY NUT MS

BELLOWS

PUSH ROD IN STAINLESS STEEL

OUTER TUBE IN STAINLESS STEEL

OTHER: \_\_\_\_\_