

ELECTROMECHANICAL CYLINDERS

Heavy duty applications

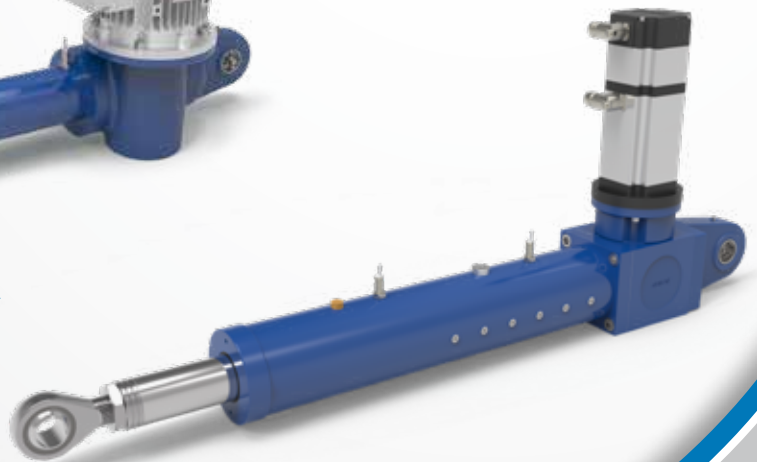


ILA Series



ATL and BSA Series

Heavy duty electromechanical cylinders from Servomech are the right alternative to the use of hydraulic cylinders: **high linear speed even at high loads**, precise control of positioning, speed and force, **less energy consumption** and lower installation costs.



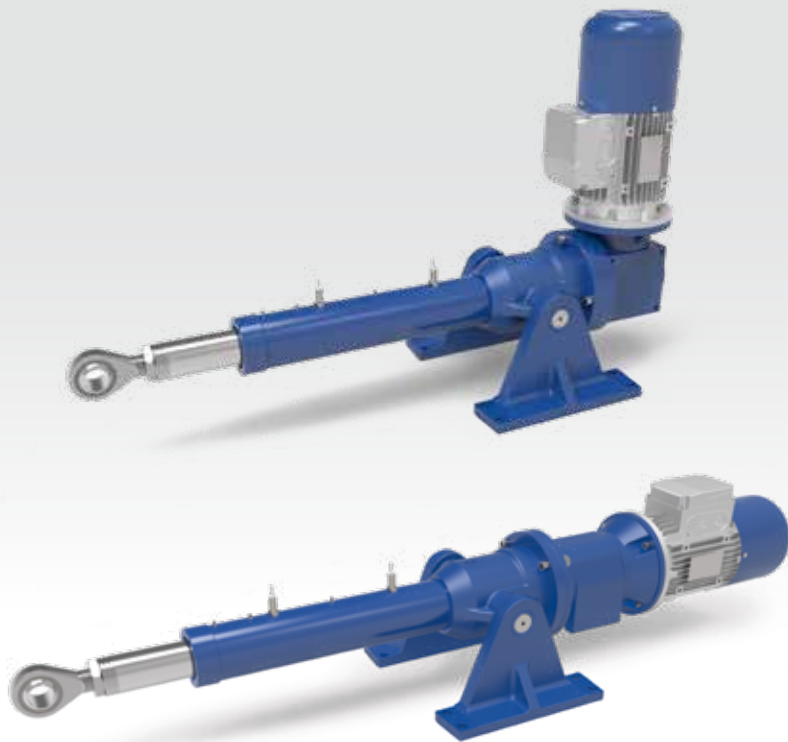
HSA Series



1. IMPROVE THE EFFICIENCY BY REDUCING ENERGY CONSUMPTION
2. BETTER CONTROL: POSITION - SPEED - FORCE
3. POSITIONING ACCURACY AND REPEATABILITY
4. GREAT SAFETY AND RELIABILITY
5. SAVE MONEY: EASIER INSTALLATION AND LESS MAINTENANCE

The right alternative to hydraulic cylinders

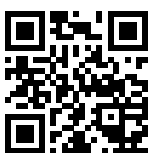
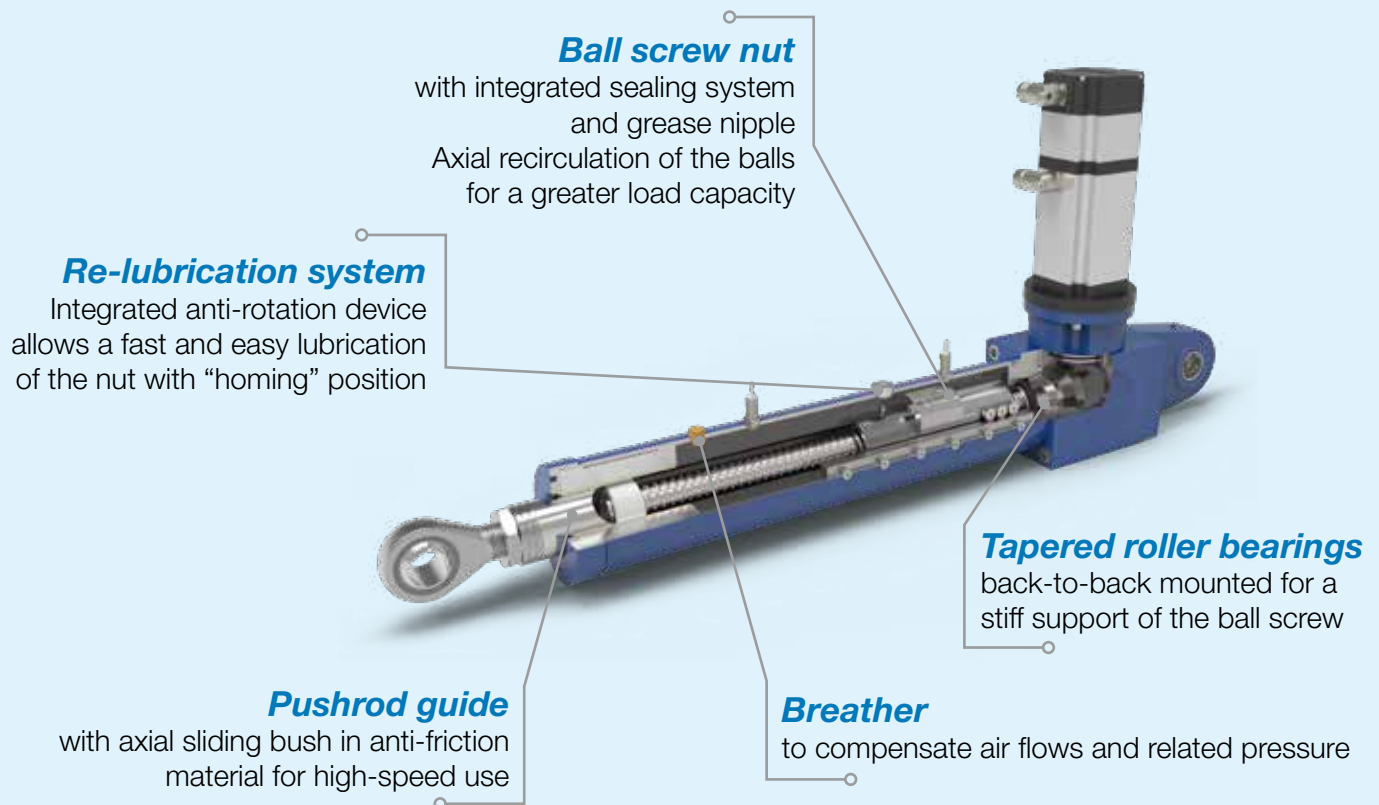
Servomech electromechanical cylinders for heavy duty applications



Servomech electromechanical cylinders are available with **high precision ball screw and acme screw drive**. High linear speed even at high loads, improved efficiency by reducing energy consumption, better control of position, speed and force, great positioning accuracy and repeatability are only some of the reasons that make them the **right alternative to hydraulic cylinders**. Also available on different assembly configurations for a total interchangeability with the existing hydraulic units.

SERVOMECH heavy duty electromechanical cylinders consist of 3 main series: **ATL and BSA Series, ILA Series, HSA Series**.

Servomech innovative solutions for high speed and long service life



ATL and BSA Series

Right angle design linear actuators

Rear hinged attachments

High precision worm gearbox, Z1 involute profile

ATL Series, acme screw drive:

6 sizes, load capacity from 15 kN to **600 kN**

Acme screw from $\varnothing 30 \text{ mm}$ to $\varnothing 120 \text{ mm}$

BSA Series, ball screw drive:

6 sizes, load capacity from 15 kN to **600 kN**

Ball screw from $\varnothing 32 \text{ mm}$ to $\varnothing 120 \text{ mm}$

Lubrication with synthetic grease

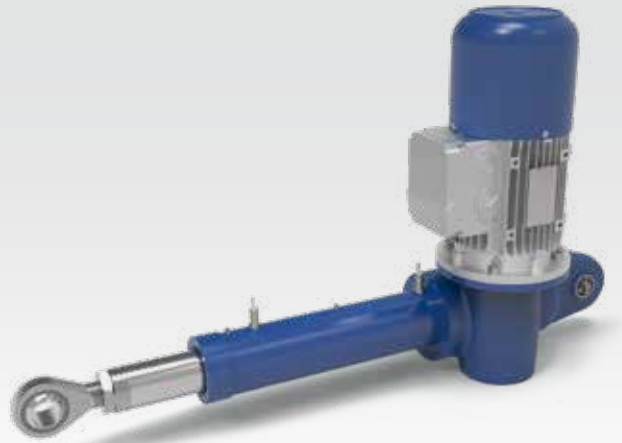
(gearbox long life lubricated, screw drive regreasable)

Standard stroke length up to 1.000 mm

Proximity limit switches

Incremental or absolute encoder for positioning control

Prepared for IEC standard AC motors



ILA Series

In-line modular design linear actuators

Housing mounting with pins

In-line or right angle gearbox mounting

ILA A Series, acme screw drive:

6 sizes, load capacity from **5 kN to 200 kN**

Acme screw from $\varnothing 22 \text{ mm}$ to $\varnothing 80 \text{ mm}$

ILA B Series, ball screw drive::

6 sizes, load capacity from **5 kN to 200 kN**

Ball screw from $\varnothing 25 \text{ mm}$ to $\varnothing 80 \text{ mm}$

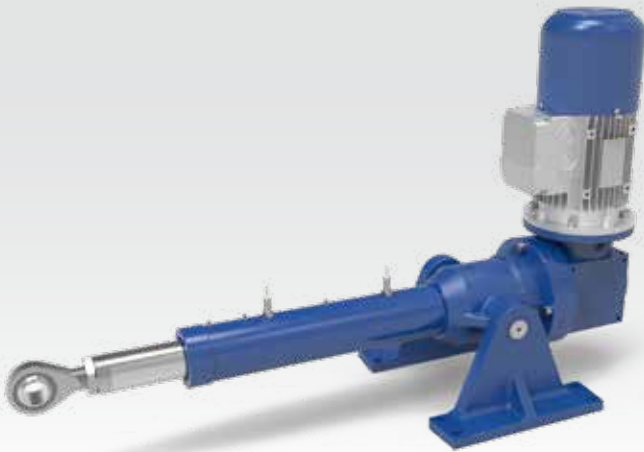
Gearbox long life lubricated, screw drive regreasable

Standard stroke length up to 1.500 mm

Proximity limit switches

Incremental or absolute encoder for positioning control

Prepared for IEC standard AC motors and brushless servomotors



HSA Series

High-speed linear actuators

Rear hinged attachments

Gleason bevel gear

Ball screw drive

6 sizes, load capacity from 5 kN to **150 kN**

Ball screw from $\varnothing 25 \text{ mm}$ to $\varnothing 80 \text{ mm}$

Lubrication with synthetic grease, gearbox long life lubricated,

fast and easy re-lubrication of the nut with "homing" position.

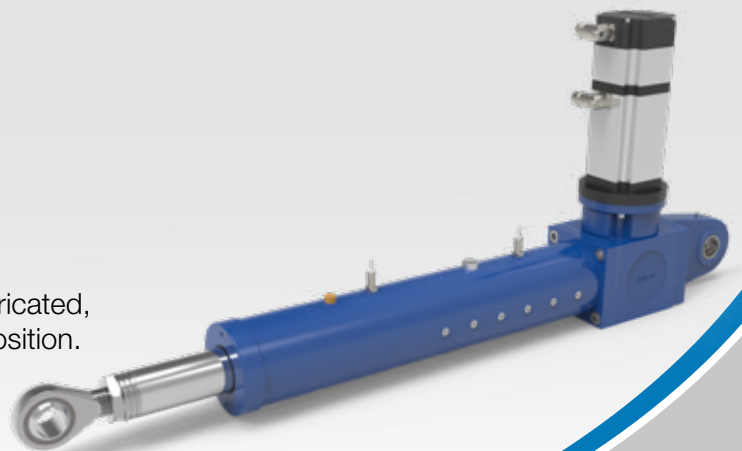
Linear speed up to **1.500 mm/s**

Standard stroke length up to 1.000 mm

Proximity limit switches

Incremental or absolute encoder for positioning control

Prepared for IEC standard AC motors and brushless servomotors



Main features

Heavy duty electromechanical cylinders from Servomech consist of 3 main series:

ATL and BSA Series, ILA Series, HSA Series.

SERVOMECH linear actuators have a wide application field. They are intended for industrial applications which require safe operation and/or linear motion control while moving, turning over or lifting a load. The **wide range of sizes, stroke lengths, motor types, linear speeds and available accessories** enables to adapt these products for new applications, replace even complex mechanical solutions and hydraulic cylinders, improving the result in terms of performance and with economical advantages.

ATL and BSA Series	ILA Series	HSA Series
Linear actuators with right angle design Rear hinged attachments Worm gear drive	Linear actuators with in-line modular design Housing mounting with pins Gearbox mounting in-line / right angle	Linear actuators for high-speed performance Rear hinged attachments Gleason bevel gear
6 standard sizes Load capacity from 15 kN to 600 kN	6 standard sizes Load capacity from 5 kN to 200 kN	6 standard sizes Load capacity from 5 kN to 150 kN
Standard stroke length up to 1.000 mm Linear speed up to 140 mm/s	Standard stroke length up to 1.500 mm	Standard stroke length up to 1.000 mm Linear speed up to 1.500 mm/s
ATL Series acme screw drive BSA Series ball screw drive	ILA A Series acme screw drive ILA B Series ball screw drive	Ball screw drive

Quality, Technology and Innovation. Our commitment.



Servomech produce **a wide range of electromechanical linear actuators and screw jacks**, ball screw and nuts, electromechanical servo actuators, completely manufactured inside the Servomech factory in Bologna - ITALY.

High technology and accuracy in manufacturing, inspections and controls during the entire production process for a constant quality over the time.

Technical support in product selection; on request, **custom-based product** execution to meet your specific application requirements.

Ball screw and nuts made by Servomech.

Available on request:

- Ball screws with ISO IT3 or IT5 accuracy grade, according to application requirements
- Ball nuts zero backlash or preloaded

For more information, please contact our sales/technical support at sales@servomech.com or visit our web site www.servomech.com



Servomech S.p.a.
Via M. Calari, 1
40011 Anzola dell'Emilia (Bologna) - ITALY
Tel. +39.051.6501711 - Fax +39.051.734574

Linear actuators
Screw Jacks
www.servomech.com

 **Servomech**[®]
new ideas in linear motion